



THE DRAGON BARES ITS TEETH

DRAGON CAMS

Combining over 30 years design and manufacturing experience with our vast wealth of climbing knowledge, we've created a state-of-the-art cam that makes the most of every placement.

General Information

A greater contact area with a raw aluminium finish and additional bite points are the hallmarks of our revolutionary TripleGrip cam lobes. These features combine to increase friction between the cam lobe and the rock. The result is increased holding power and reduced 'walking', particularly in slick or soft rock types and sub-optimal placements.

Single stem, dual axle design gives our Dragons 360° flexibility and the greatest expansion range, increasing both performance in sub optimal placements and your chance of getting the right piece first time.

The hot forged thumb press improves ergonomics while reducing the chance of a fumble from gloved hands or pumped fingers, while the extendable sling cuts down on quickdraws needed to extend placements, significantly reducing weight on your harness.

The Dragons low weight does not compromise its strength - they are rated to a huge 14kN from size 1 upward and the additional material in the lobes has improved their resistance to deformation.

Features

- > TripleGrip cam lobes give increased holding power and torsional rigidity plus reduced 'walking'
- > Dual axle, single stem design for 360° flexibility and a large expansion range
- > 14kN strength in sizes 1 and upwards



- > Ergonomic, hot forged thumb press with extendable 8mm Dyneema sling
- > 13.75° cam angle for high holding power
- > Colour coded for easy identification

Technology

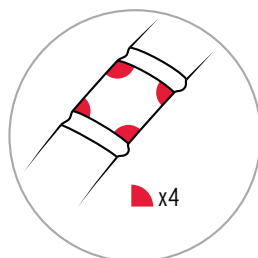


TripleGrip Cam Lobes

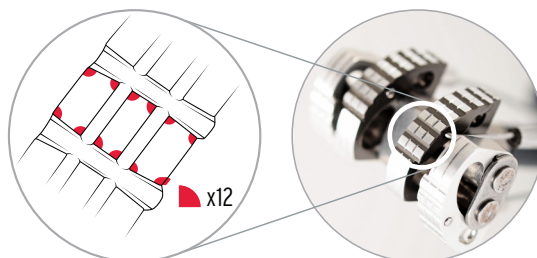
Our patented TripleGrip lobes are the result of extensive research into the factors governing friction between a cam's contact surface area and the rock it's placed in. We've increased this friction by machining a raw aluminium finish with additional bite points onto the surface of the lobes themselves. Wider lobes are also stiffer, allowing them to resist deformation to a greater degree. As a result our new Dragons excel in slick or soft rock and make the most of sub-optimal placements, giving you confidence when you need it most.

- › Raw aluminium finish gives greater friction between the cam and the rock
- › The TripleGrip surface triples the number of pronounced edges that 'bite' crystals and micro-features in the rock. Together with the larger surface area this gives increased holding power and reduces walking.

Traditional Cam Surface



TripleGrip Cam Surface



Testing and Research

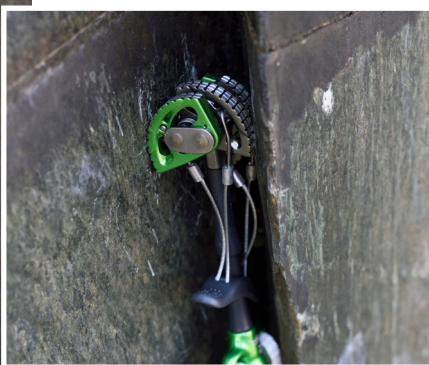
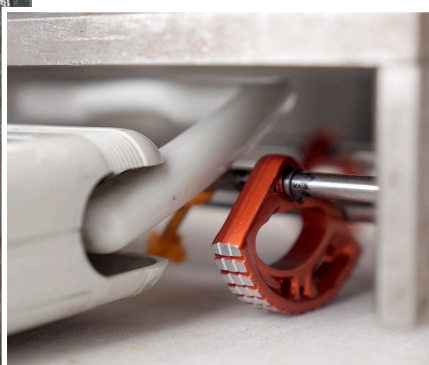
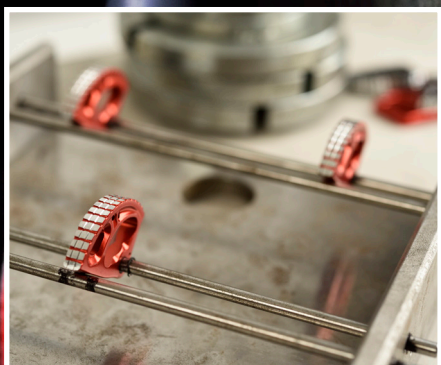
Our TripleGrip cam lobe technology has undergone significant testing both in the lab and in the field. We investigated how different cam lobe surface finishes affect the friction between the cam lobe and different types of rock.

< Testing

- › TripleGrip cam lobes undergoing lab friction testing
- › TripleGrip lobes generate more friction than standard lobe finishes across a wide variety of rock types

< Sub-optimal Placements

- › TripleGrip technology increases friction and makes the most of any placement
- › Increased performance in sub-optimal placements such as flared cracks and slick rock



Features

Single Stem Construction

Cams with single stems have 360° flexibility.

This makes them more forgiving in fall scenarios where the rock formation prevents the cam being placed in the direction of the load. Dragons feature a firm but flexible stem that will maximise your placement options.

Dual Axle Design

Dual axle cams have a greater range to help you get the right placement first time. The expanded range means that you need fewer units to cover a large range of crack sizes.

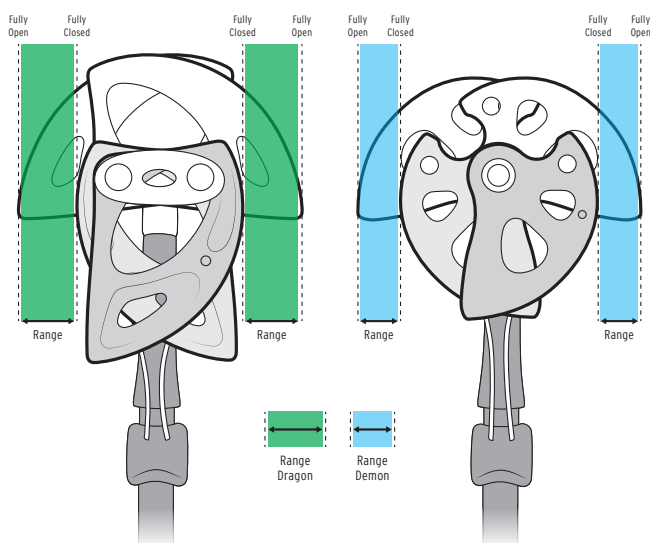
All DMM cams use high quality stainless steel axles which offer increased levels of corrosion resistance and high strength.

Thumb Press

The ergonomic thumb press allows you to have an extendable sling built into the cam without sacrificing strength. The compact size means that there is less to get in the way of a good placement when you're pumped or fumbling with thick gloves in winter. We've CNC'd extra grip into our thumb presses to give the best handling characteristics.

Dragon Cam Range
(dual axle)

Demon Cam Range
(single axle)









An extendable Dyneema sling increases the speed and ease of extending your placements while also reducing the number of quickdraws needed to achieve this, saving crucial weight on your harness. Extended placements are less likely to 'walk' into sub optimal loading positions, and reduce rope drag on long or complex pitches.

Our new compact stitching makes re-racking extended Dragons quick and easy, something your second will be thankful for when you've laced a long pitch.







Tech Specs

Key to Symbols:  Strength (active)  Strength (passive)  Weight  Range  Colour

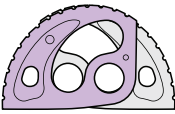

Size 00


 10kN  9kN  75g  13 - 21mm  Blue

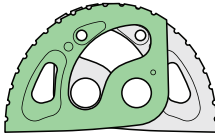





Size 0


 14kN  12kN  85g  16 - 25mm  Silver





Size 1


 14kN  14kN  103g  20 - 33mm  Purple

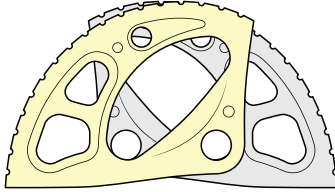





Size 2


 14kN  14kN  117g  24 - 41mm  Green

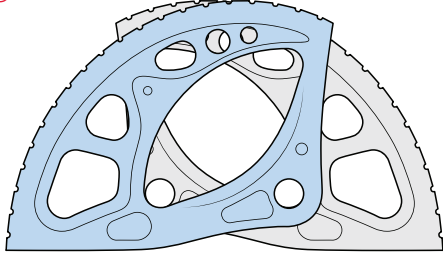





Size 3


 14kN  14kN  128g  29 - 50mm  Red

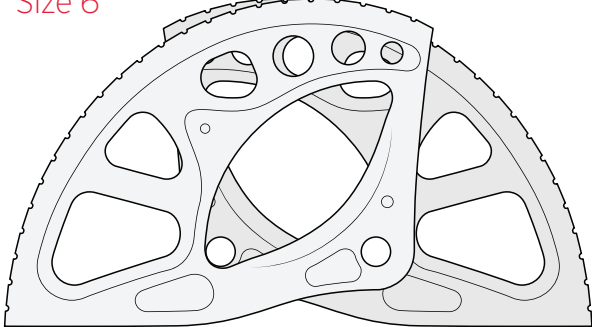





Size 4


 14kN  14kN  154g  38 - 64mm  Gold

Size 5


 14kN  14kN  208g  50 - 85mm  Blue

Size 6


 14kN  14kN  299g  68 - 114mm  Silver