

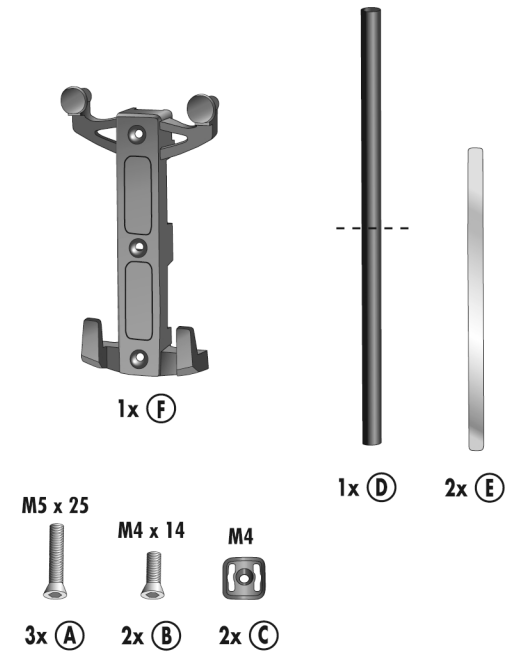
# FORK-PACK

**ORTLIEB** WATERPROOF

- DE MONTAGEANWEISUNG
- GB ASSEMBLY INSTRUCTIONS
- FR INSTRUCTIONS DE MONTAGE
- IT ISTRUZIONI DI MONTAGGIO
- NL MONTAGE HANDLEIDING
- DK MONTERINGSVEJLEDNING
- ES INSTRUCCIONES DE MONTAJE
- SE MONTERINGSANVISNING
- NO MONTERINGSANVISNING
- FI ASENNUSOHJEET
- PL INSTRUKCJA MONTAZU
- JP 装着方法



INHALT:  
CONTENTS:  
CONTENU:  
CONTENUTO:  
INHOUD:  
INDHOLD:  
CONTENIDO:  
INNEHÅLL:  
INNHOUD:  
SISÄLLYS:  
ZAWARTOSC:  
内容物表



**1**

Alu Steel } ✓ = O.K.  
Carbon } ✗

**2**

Alu Steel } ✓ = O.K.  
Carbon } ✗

**3**

Alu Steel } ✓ = O.K.  
Carbon } ✗

min. 150 mm

30 - 42 mm

OPTION ACCESSORIES += Art. # E240  
ADAPTER 45° TO 30°

UM KRATZER ZU VERMEIDEN, BENUTZE RAHMENSCHUTZFOLIE AN DEN KONTAKTSTELLEN (nicht beinhaltet)  
TO AVOID SCRATCHES, USE ADHESIVE FRAME PROTECTION AT CONTACT POINTS (not included)

+3 x A

+1 x F

1,0 Nm

M5 ✓ = O.K.

**2**

a) M5 +1 x A

b) +1 x B  
+1 x C  
+1 x D  
+1 x E

UM KRATZER ZU VERMEIDEN, BENUTZE RAHMENSCHUTZFOLIE AN DEN KONTAKTSTELLEN (nicht beinhaltet)  
TO AVOID SCRATCHES, USE ADHESIVE FRAME PROTECTION AT CONTACT POINTS (not included)

+1 x F

(->3.1 - 3.4)

a) +1 x A 1,0 Nm M5 ✓ = O.K.

b) 2,5 Nm M4 ✓ = O.K.

**3**

30 - 42 mm

UM KRATZER ZU VERMEIDEN, BENUTZE RAHMENSCHUTZFOLIE AN DEN KONTAKTSTELLEN (nicht beinhaltet)  
TO AVOID SCRATCHES, USE ADHESIVE FRAME PROTECTION AT CONTACT POINTS (not included)

✓ = O.K.

+1 x F

+2 x B  
+2 x C  
+1 x D  
+2 x E

**3.1**

D max. 3/4  
1/4

30 - 42 mm

1/2 D 1/2

✓ = O.K.

**3.2**

PRESS!

2 x

**3.3**

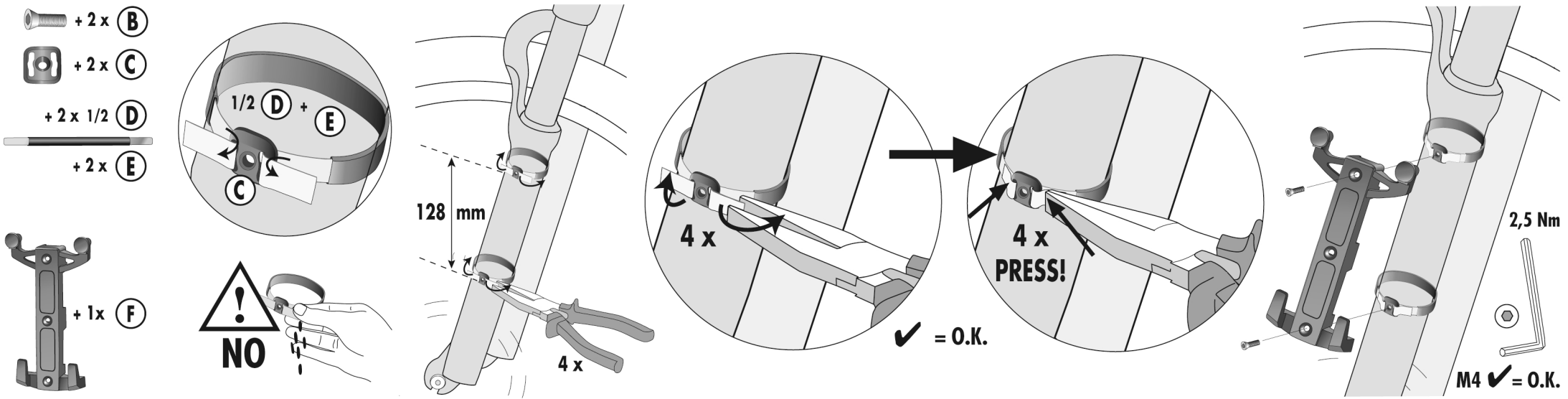
1/2 D

1/2 D

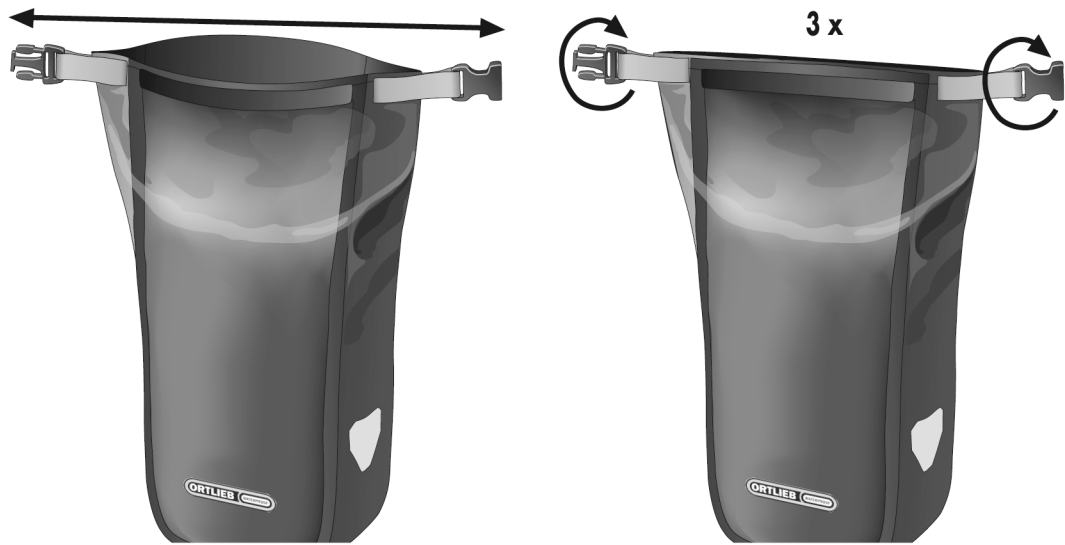
110 °C  
230 °F

= 1 min.

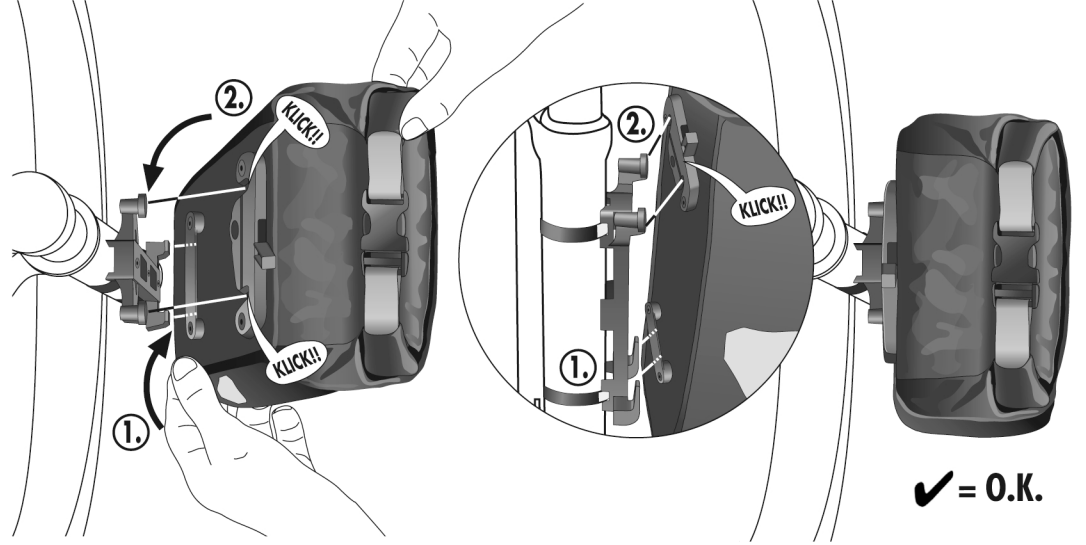
3.4.



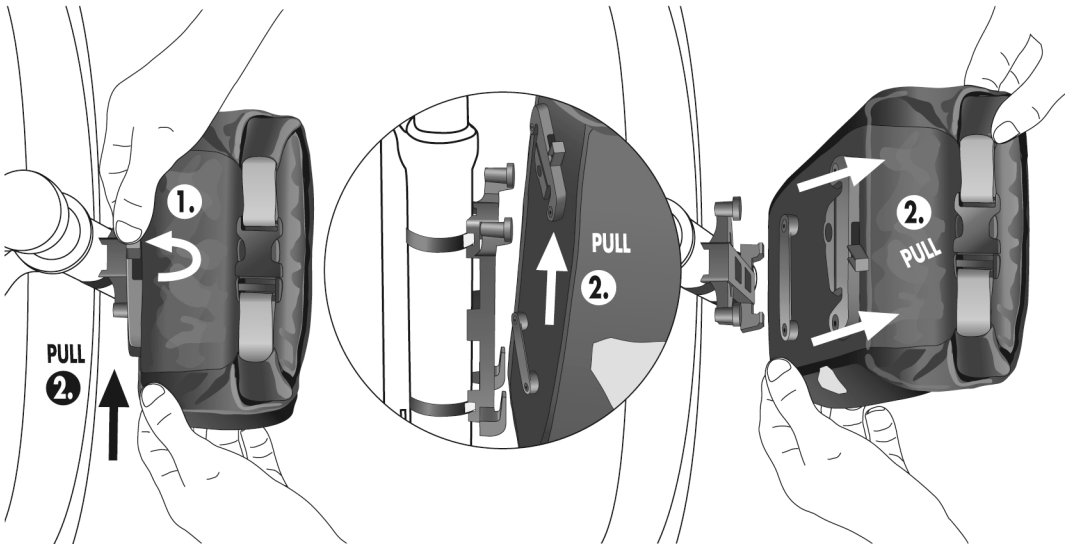
4. CLOSE



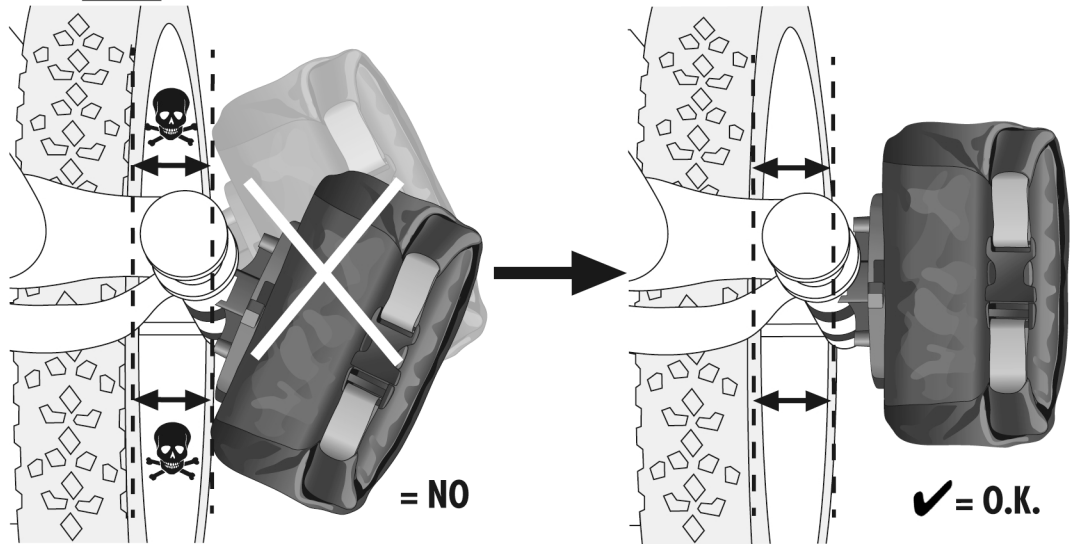
5. FIX



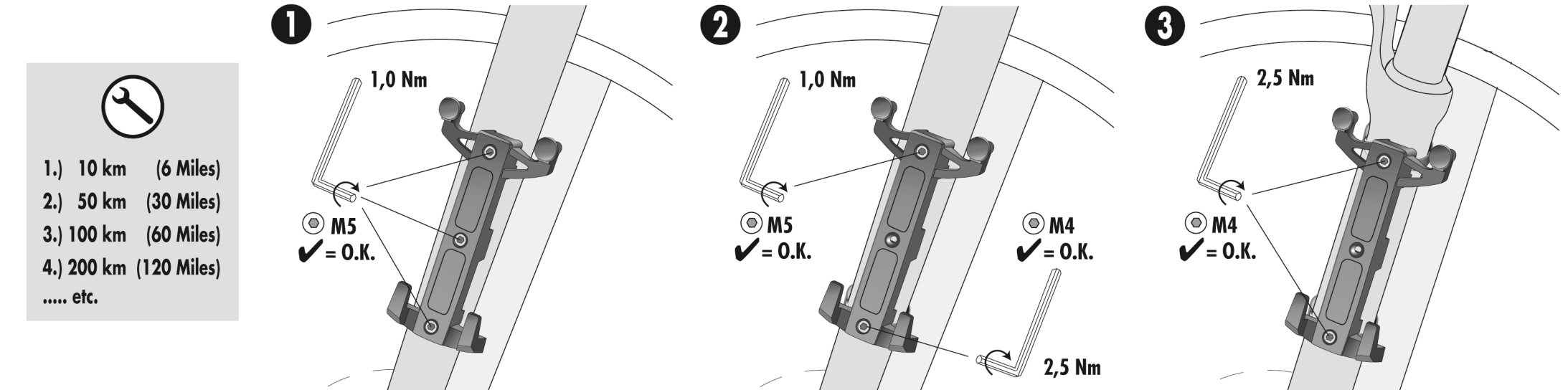
6. UNFIX



7.



8. ! CHECK FIXATION BEFORE EVERY RIDE!



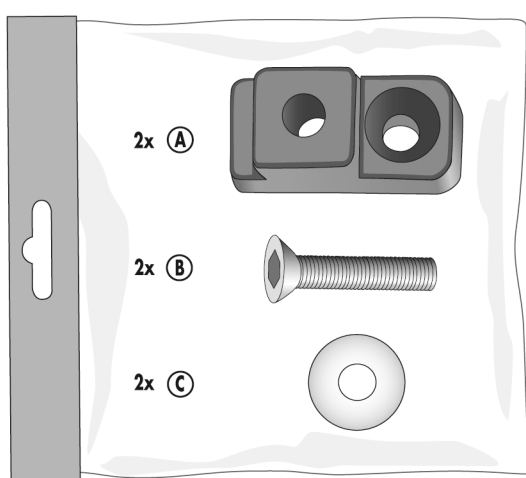
9.

ACCESSORIES

! = NO JUMP!



4 OPTION ACCESSORIES += Art. # E240 - ADAPTER 45° TO 30°



+= Art. # E235

