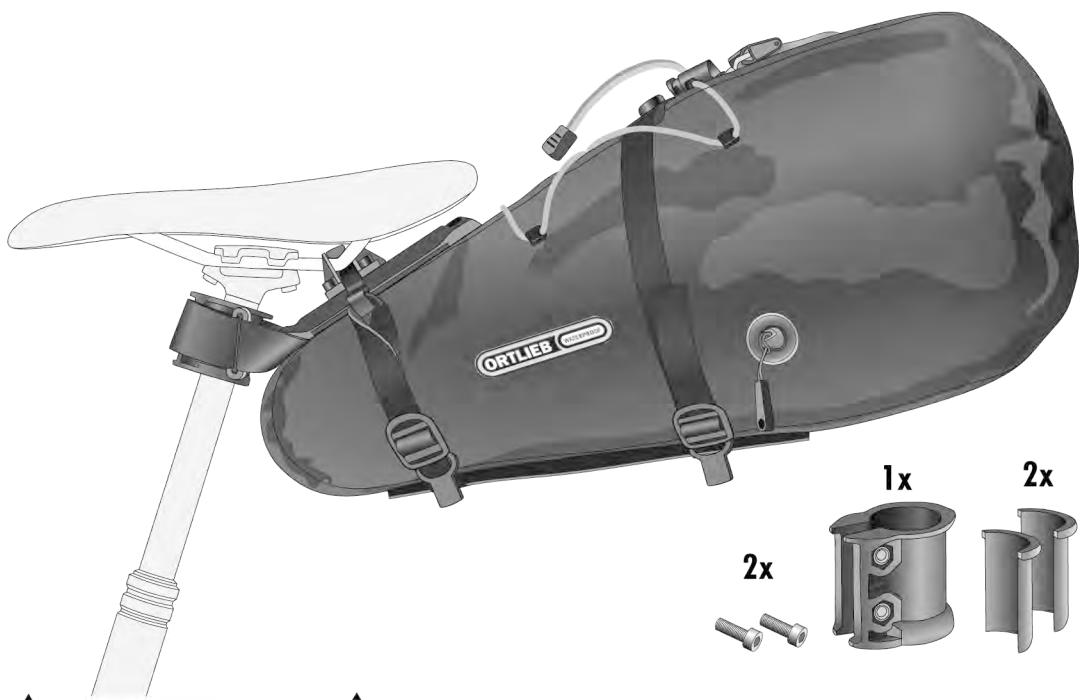


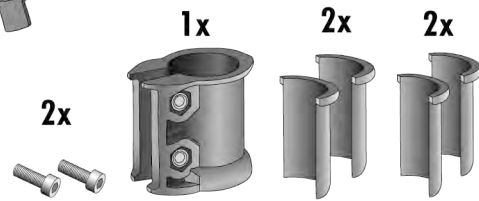
SEAT-PACK QR



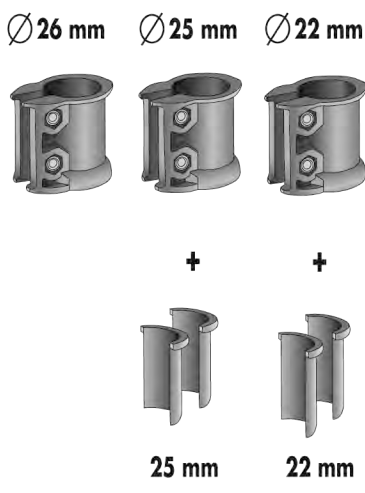
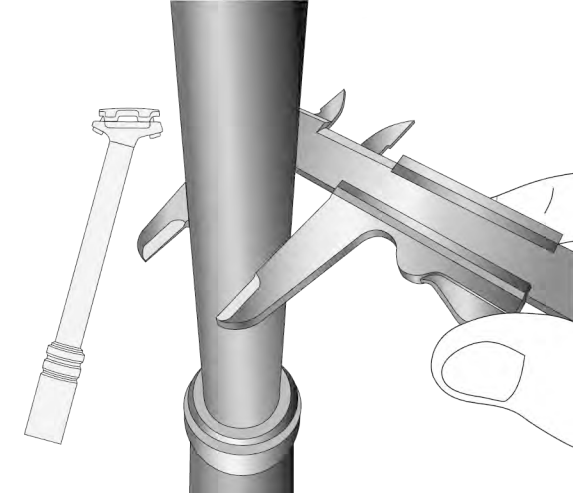
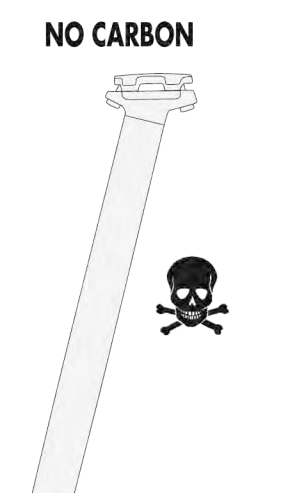
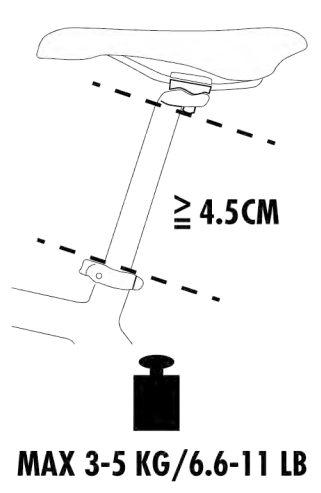
- DE MONTAGEANLEITUNG
- GB ASSEMBLY INSTRUCTIONS
- FR INSTRUCTIONS DE MONTAGE
- IT ISTRUZIONI DI MONTAGGIO
- NL MONTAGE HANDLEIDING
- DK MONTERINGSVEJLEDNING
- ES INSTRUCCIONES DE MONTAJE
- SE MONTERINGSANVISNING
- NO MONTERINGSANVISNING
- FI ASENNUSOHJEET
- PL INSTRUKCJA MONTAZU
- JP 装着方法



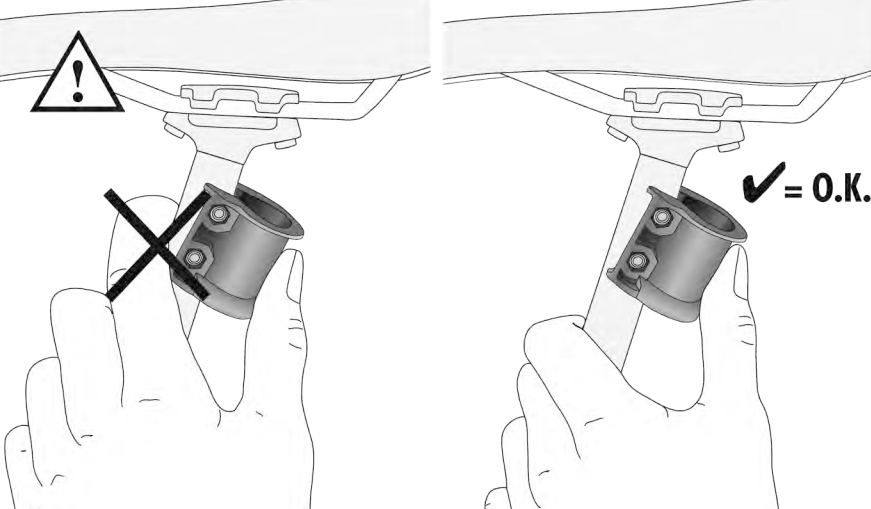
VIDEO



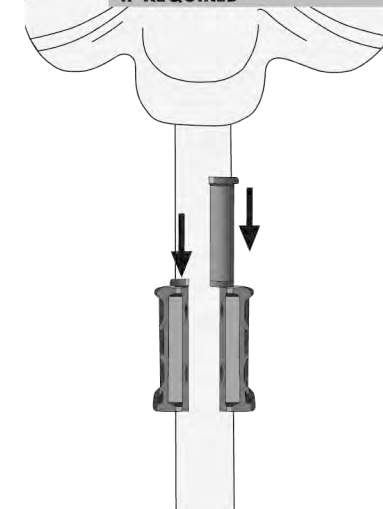
! WITHOUT DROPPER POST **1.1** ONLY FOR DROPPER POST (1.1 - 1.5)



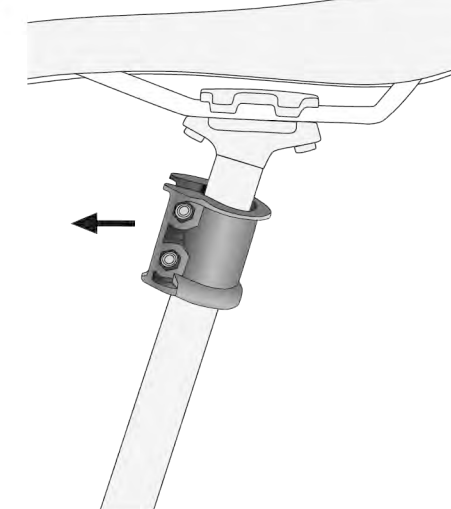
1.2 PINCH POINT



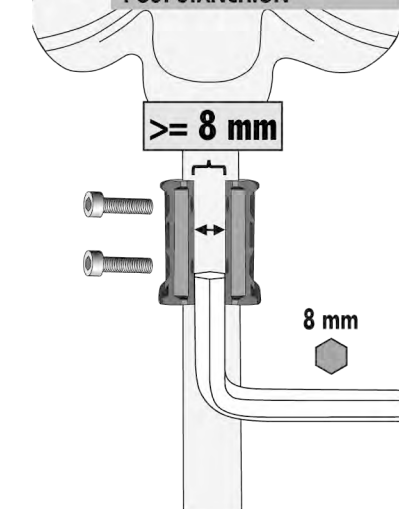
1.3 INSTALL SPACER, IF REQUIRED



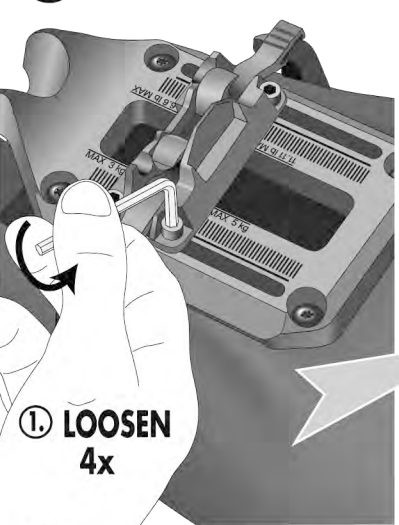
1.4 ALIGN WITH DROPPER POST



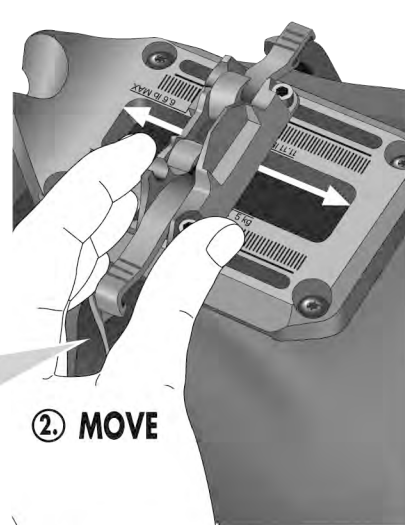
1.5 TIGHTEN CLAMP TO DROPPER POST STANCHION



2.1 LOOSEN SCREWS - ADJUST CLAMP



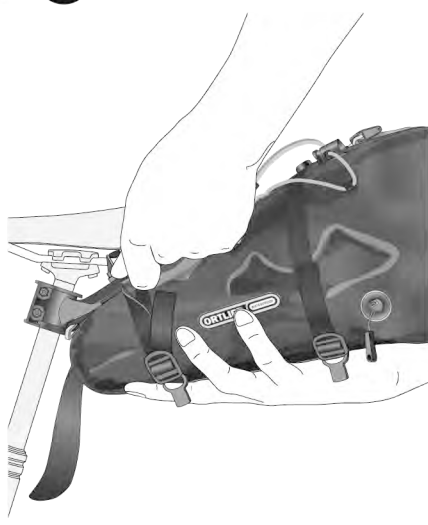
2.2 ADJUST WEBBING TO LONGEST POSITION



2.3 PRESS ON TO SADDLE RAILS



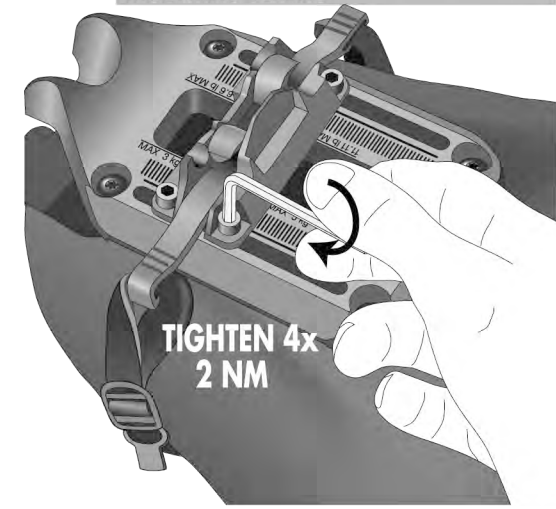
2.4 HOOK ONTO BEND OF SADDLE RAILS



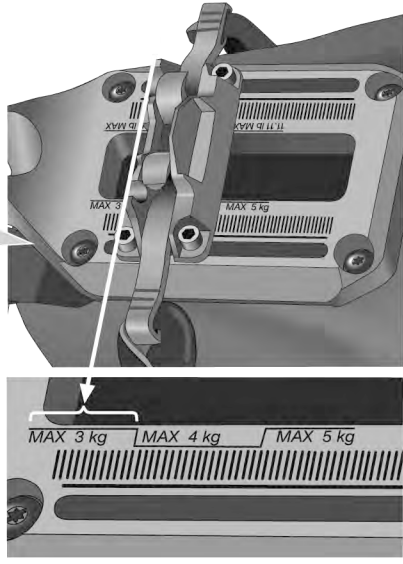
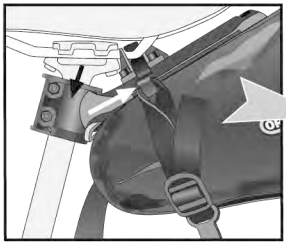
2.5 ADJUST MOUNT TO OPTIMAL POSITION



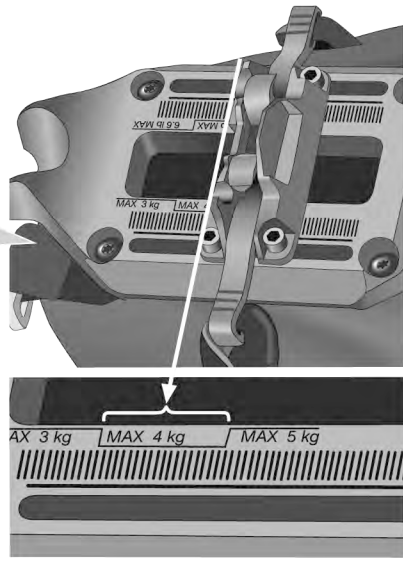
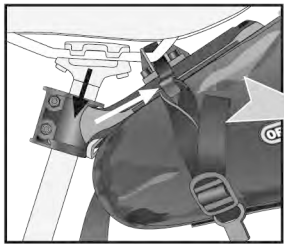
2.6 CAREFULLY REMOVE BAG AND TIGHTEN MOUNTING SCREWS



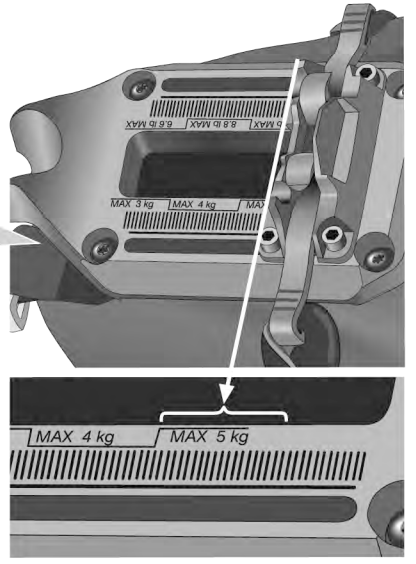
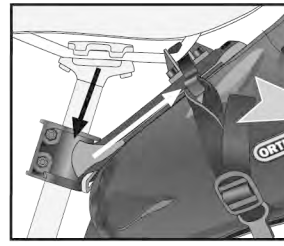
MAX. LOAD 3 KG



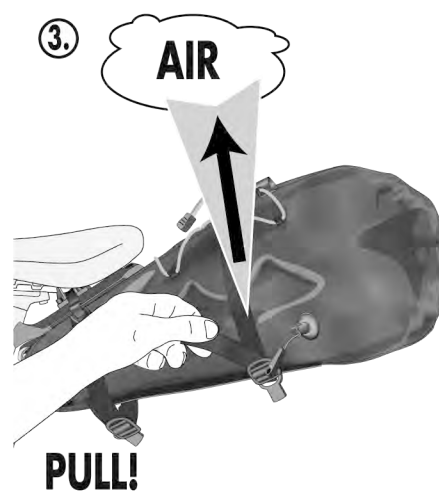
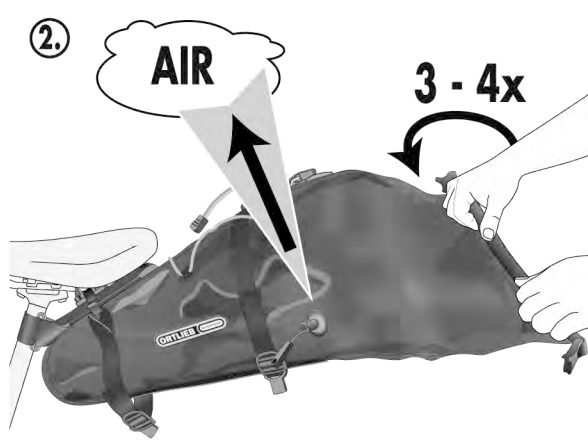
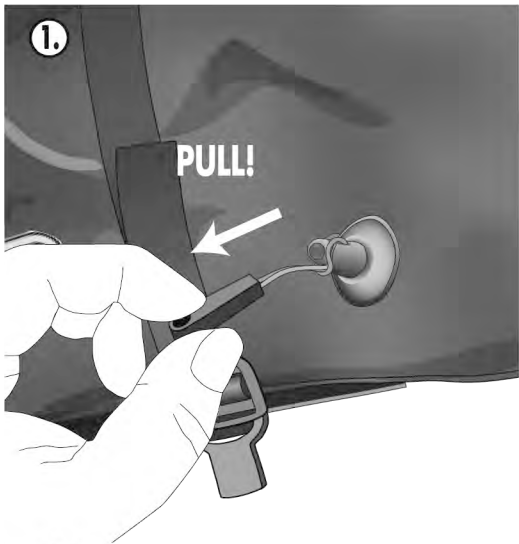
MAX. LOAD 4 KG



MAX. LOAD 5 KG



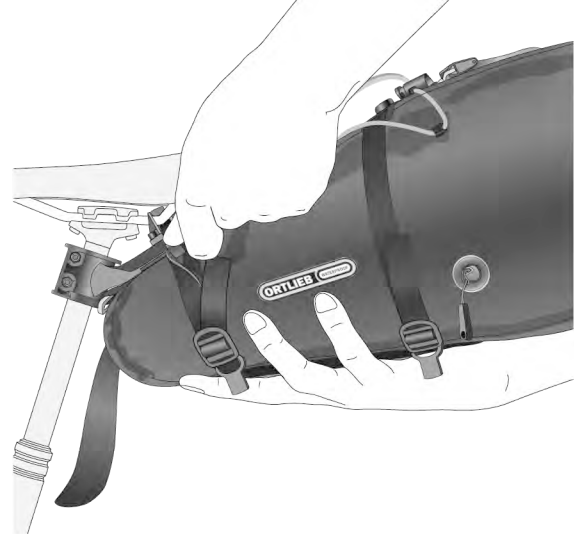
3.0



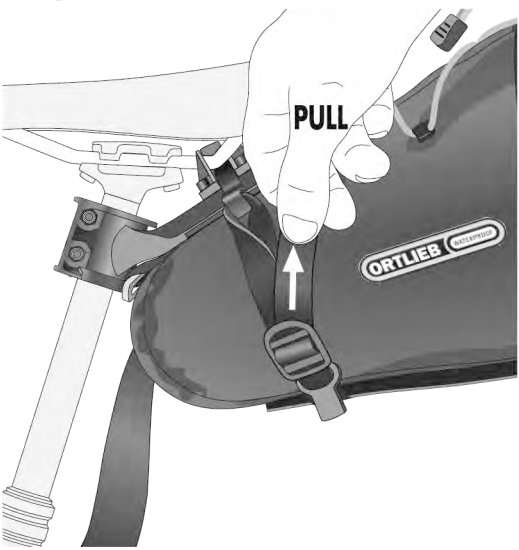
4.0



5.1



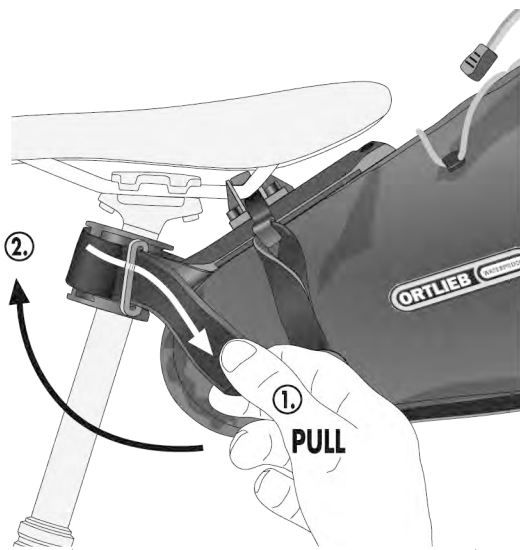
5.2 TIGHTEN COMPRESSION STRAPS



5.3



5.4



5.5 FOR STANDARD SEATPOST

