

NORDISK LEGACY

SINCE 1901

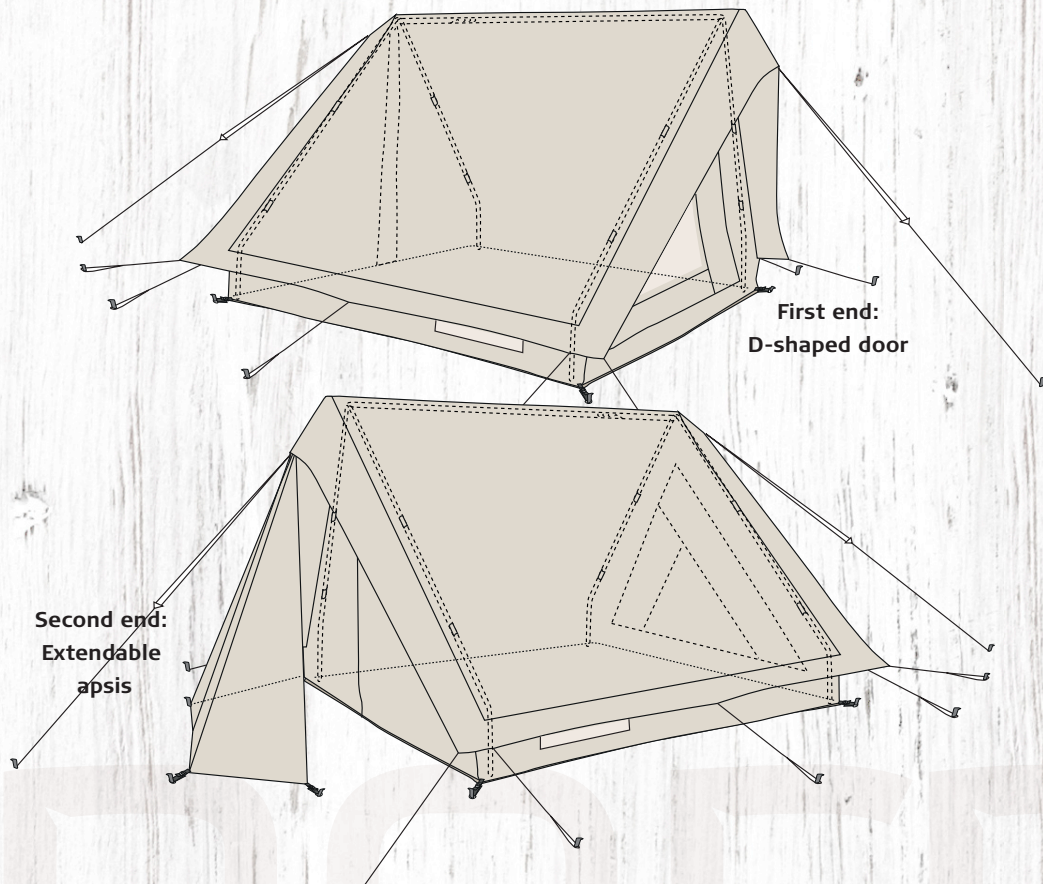


VIMUR 4.8 M² & 5.6 M²

MODERNISED COTTON CLASSIC

Product book

BUILD UP INSTRUCTION - VIMUR 4.8 M² & 5.6 M²



Welcome to Vimur – this product book will help you to set up the tent.

There are 2 Vimur models, a 134 cm high, 4.8 m² version and a 206 cm high 5.6 m² version This instruction is valid for both of these.

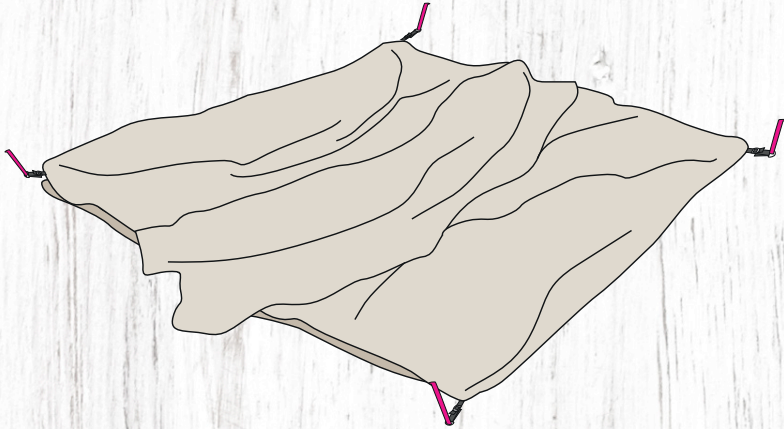
Vimur has opening at both ends, yet is asymmetric and has a reverse T-door in the one end including an extendable apsis option. The other end has the Nordisk triangular signature window option and a complete D-shaped door opening option. Both ends can be opened completely with an unobstructed view and functionality. There are two side windows, located towards the one end.

Vimur is designed with 5 poles, you can identify the corner poles with a slight bend on the last segment and the top ridge pole is straight. This will allow for a solid construction – yet "pole free" experience allowing optimal usage and joy. The Vimur can be set up without the ridge pole, yet the ridge pole offers stability and strength and we suggest you use it.

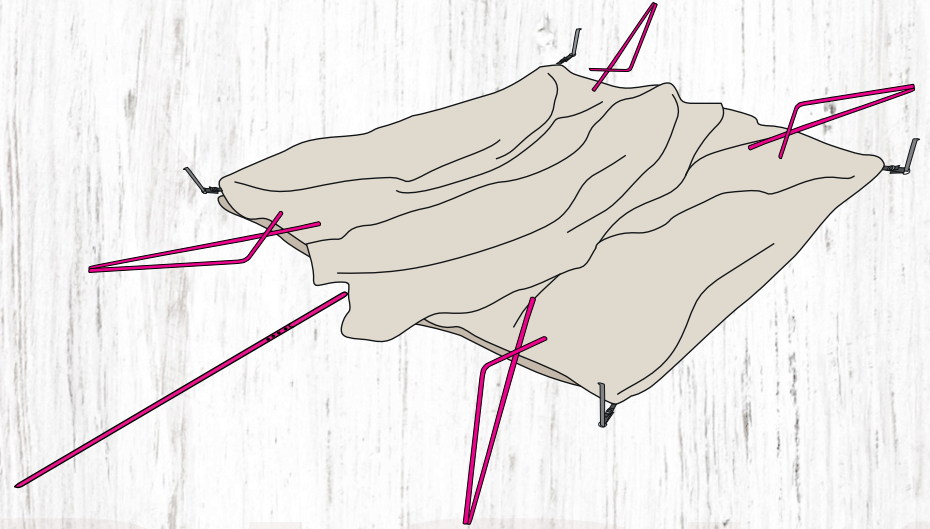
Please also note that your Vimur can connect and dock with the Nordisk Midgard tents. Only the signature triangular end can do so and has connection zippers hidden under a flap for that purpose.

See the graphics here to decide direction of your Vimur by identifying the doors. (tip: in case you want to use your apsis a lot, then point the Signature triangular window end towards the nice views, or your apsis would block it).

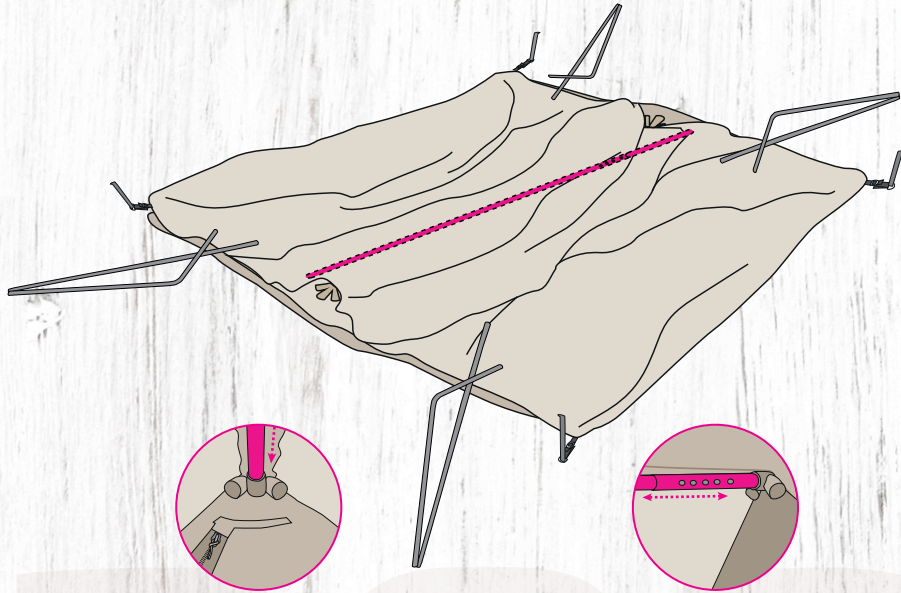
- 1** Once you have decided direction – identify the door ends and the difference. Spread out/lay out the tent and get 4 of the pegs to peg out the corners without too much tension and only half way pegged – you will need to adjust these later.



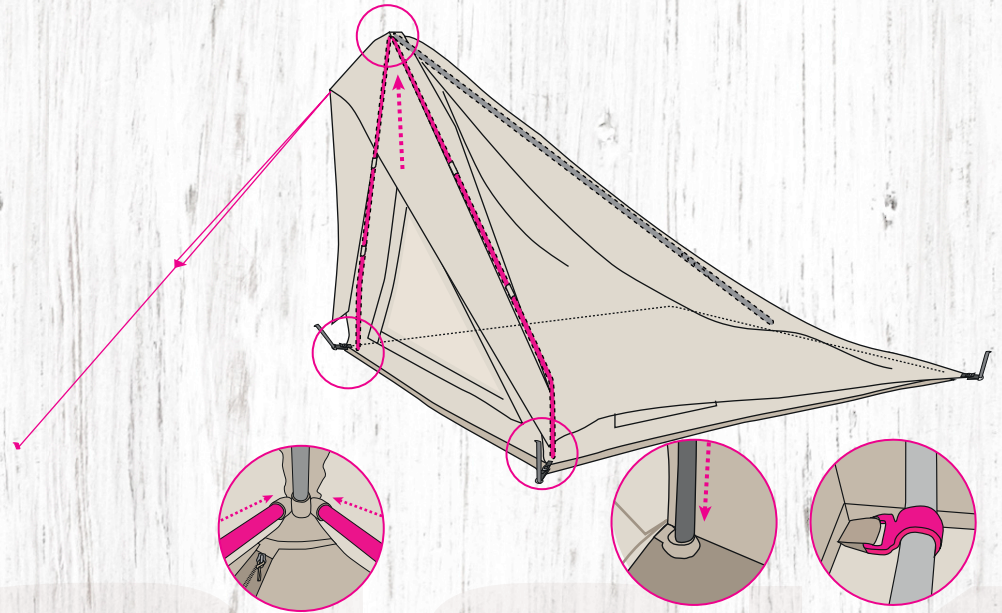
- 2** Now identify the poles – assemble the straight ridge pole completely. This is adjustable in one end and here you should reduce length at maximum before inserting it. Slide it through a door and leave it there – then locate the 4 corner poles and assemble them partially, leave it disconnected at the 2nd segment / just above the point from the bend. This makes it easier to set up. Slide them in through the doors with the bend pointing toward the opposite corner. Keep everything flat and horizontal for now.



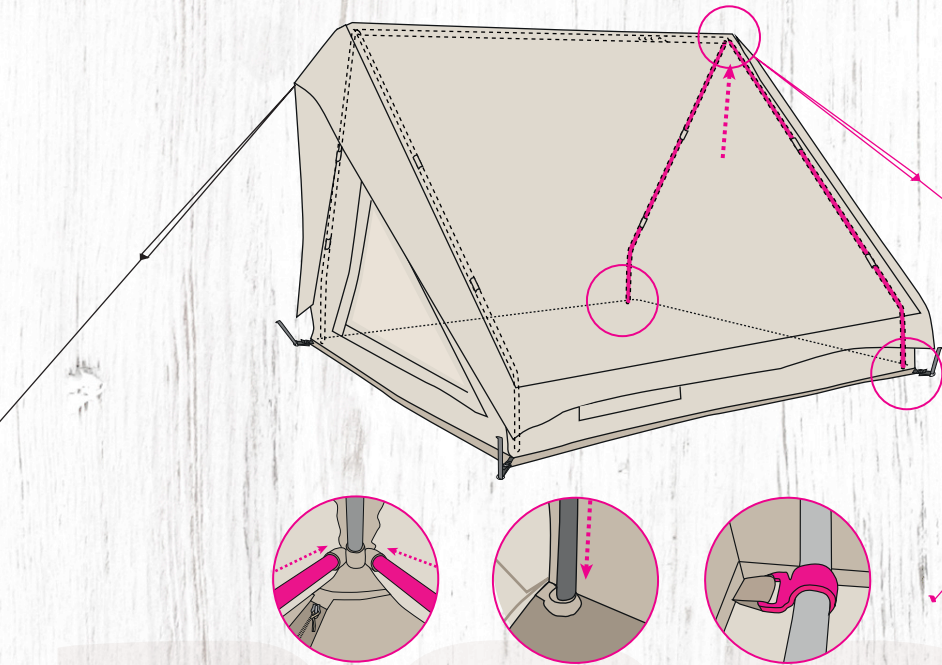
- F** Now you can set up the ridge pole, stay outside, just kneel down in front of the door. Now you insert it into the turtle hub soft connection system inside the tent – located at the top of each door. You use the middle hole and insert the non-adjustable end first. Then go to the other end door and keep the tension towards the already inserted end, then release adjuster and extend the pole into the opposite middle turtle hub. When you feel there is good tension, move onto the corner poles.



- 4** Now you need to dive into the tent, insert a corner pole, straight end first into the turtlehub. Maintain tension and point the bend end toward the lower middle wall, now connect the bend segment and set it down towards the floor. Then slide it in towards the corner and clip on the corner clip. Once you have done 2 at the one end, then attach the guy rope and peg that out so the door is vertical, repeat for the opposite end, and create tension with the 2 guyropes till both doors are vertical.



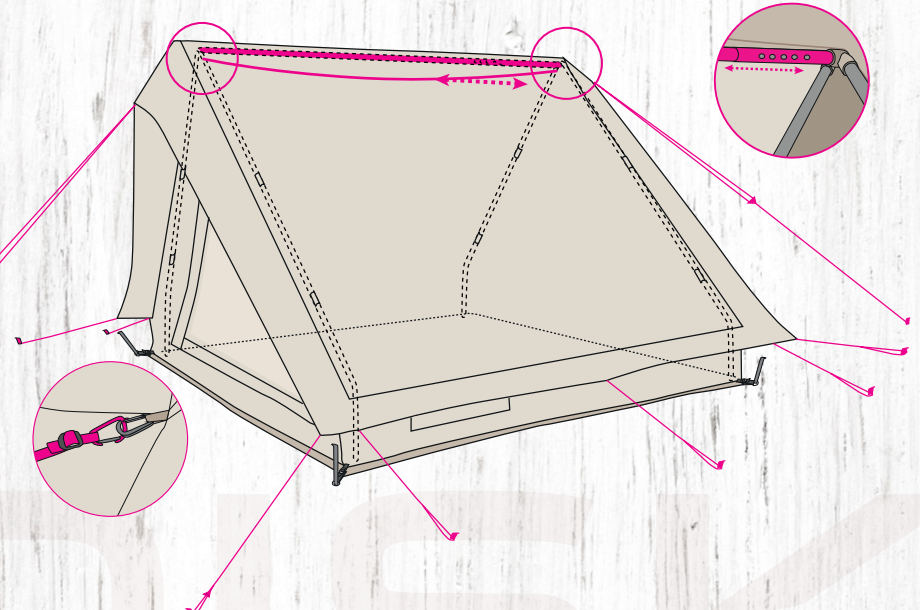
- Ⓛ Now peg out all the peg points. Use the adjusters to create a good tension so the tent stands firmly,
(there is a secondary pegpoint at the triangular end - for connection to Midgard, this you can disconnect the guyrope from or peg it out as you like)



- Ⓛ There are 1 dryline included. This can be attached to the inner hooks above each door/window opening for storage or drying. Sliding alu loop rings are installed for attaching gear / light. Check the ridge pole again, maybe a click more on the adjuster. Also check that all corner poles are in place in the corners. Your Vimur is set up !

Tips & tricks

You may notice that the overhang above the triangular door can be opened. This is used for connectivity purpose with Midgard. For general stand-alone use, this should remain zipped and the velcro closed.

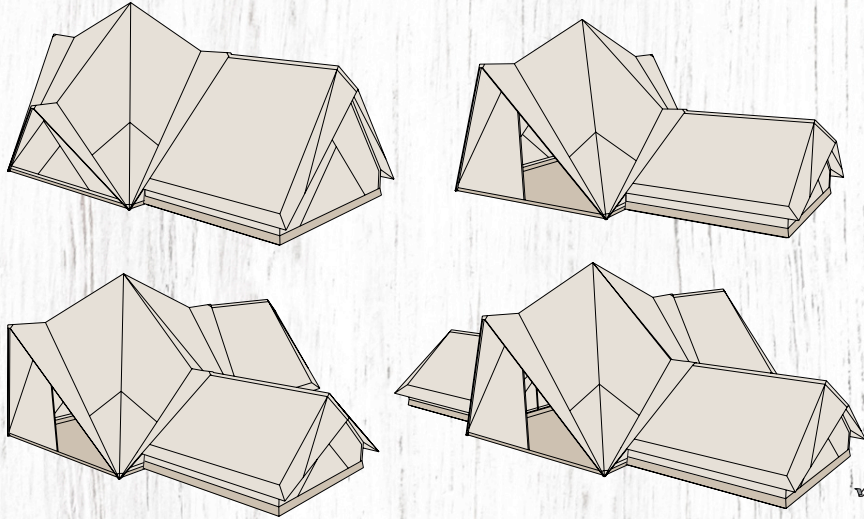


EXTEND YOUR MIDGARD CONCEPT - ENDLESS POSSIBILITIES

Midgard must be set up first.

Now identify the Vimur you wish to attach, 4.8 fits the smaller window and the 5.6 the larger door.

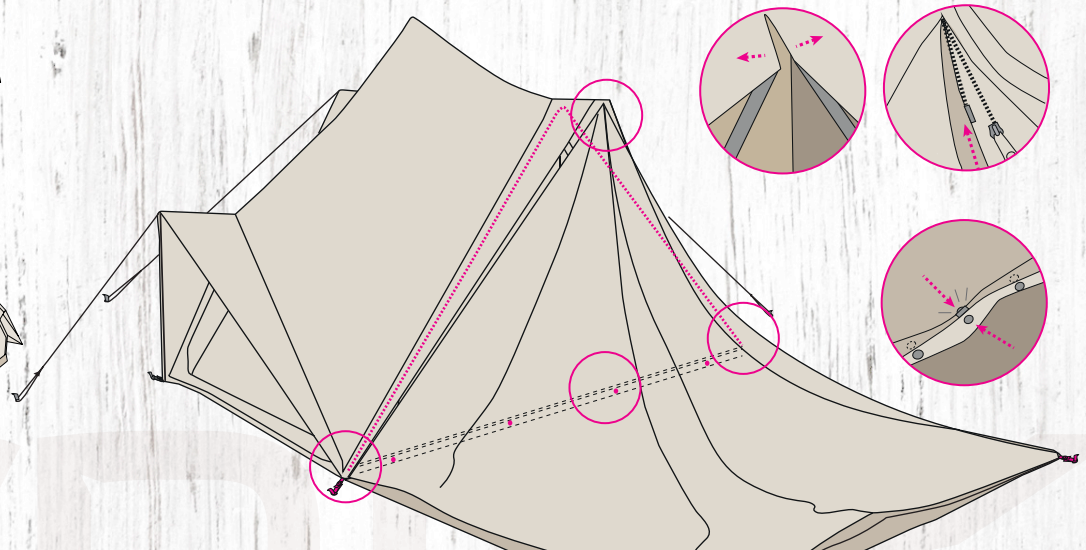
Then on Vimur identify the end which has the triangular window - only this end has connective zippers. Now identify the zipper on Vimur - it is hidden underneath the overhang by splitting the top center which is attached by Velcro. The zipper must be totally open to release tension and allow connection.



CONNECTION TO VIMUR 4,8 AND 5,6

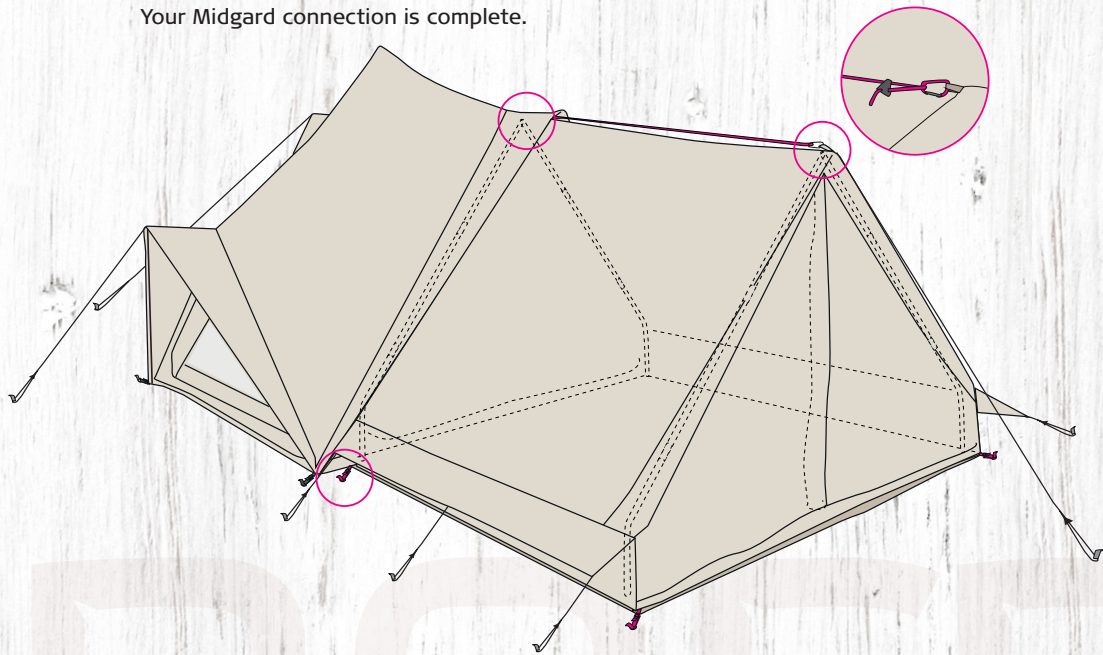
- 1 Lay it loosely out on the ground in front of the Midgard. Pull both doors/ground sheet very close. You can connect the 2 groundsheets by the connection buttons.

Now attach the hook from the Midgard to the top webbing loop on the Vimur. Now connect the 2 tents by zipping them together. There are 2 zippers. Each starting at the bottom corners. Connect and zip both to the top. Then on Vimur identify the end which has the triangular window - only this end has connective zippers. Now identify the zipper on Vimur - it is hidden underneath the overhang by splitting the top center which is attached by Velcro. The zipper must be totally open to release tension and allow connection.

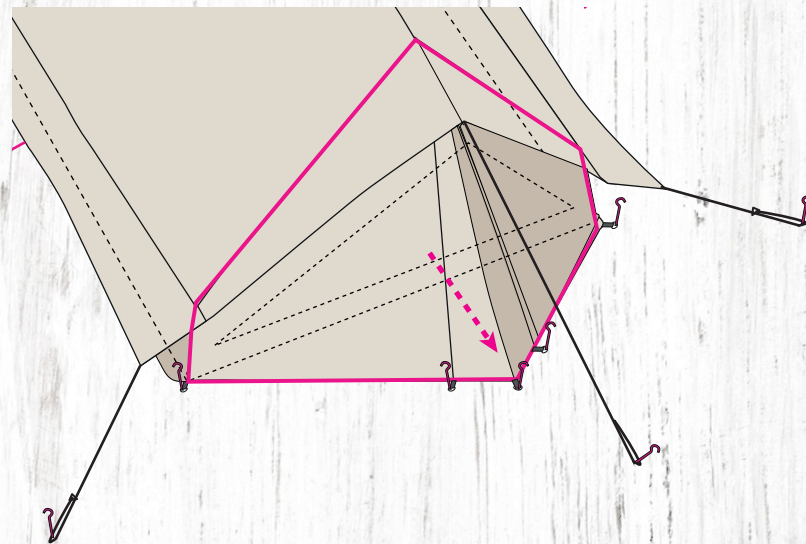


- 4 Then attach the poles inside Vimur as described in the Vimur set up instructions. At the connection end of Vimur, there is a secondary pegpoint. This now becomes the corner pegpoint. The original corner becomes obsolete and can stay relaxed under the Midgard overhang.

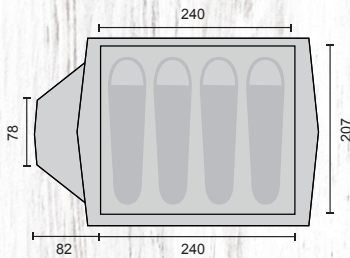
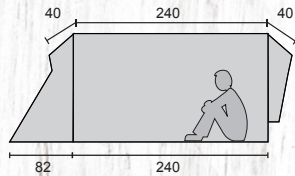
Attach the original guyline from the Midgard center door across the ridge of Vimur to the opposite Vimur top ridge end loop. Create tension by the slider. Your Midgard connection is complete.



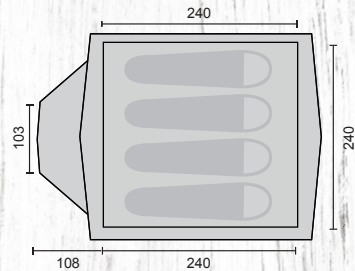
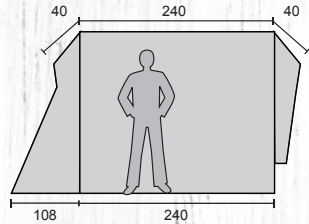
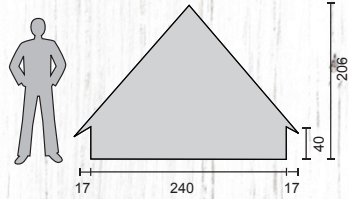
- 5 At the reverse T door end, you will find a concealed apsis. This can selectively be used. Setup up by releasing from the loop holders, and extend the center point and peg this – there are more pegpoints which we suggest to peg as well. There is now a side zipper which you can use for exit/entry.



Vimur 4.8 m²



Vimur 5.6 m²



Nordisk Technical Cotton

Technical Cotton is characterised by lower weight and higher durability, due to the mix of the natural features of cotton combined with the strength of man-made polyester yarn.

Water Repellent

The Legacy tent fabrics are engineered to be water repellent. They are developed with a unique treatment which eliminates the use of a coating. By applying an advanced Nordisk dipping process, breathability is maintained completely which allows the natural inherent features of the cotton to work its magic. When wet the fibre will absorb part of the water, thereby expanding and sealing itself to keep even the most persistent rain out.

Furthermore, sewing techniques are developed and supportive components applied to optimise the properties.

After sales service / spareparts

If you want to upgrade your gear or need spareparts. Please contact your local retailer.





OVERALL WINNER

2019

THE MIDGARD CONCEPT

NORDISK®

Nordisk Company A/S
Papirfabrikken 74, 8600 Silkeborg, Denmark

Nordisk Freizeit GmbH
Max-Weber-Straße 16, 25451 Quickborn, Germany

Nordisk Japan Co., Ltd.
2F, 2-8-11, Nishi-Azabu Minato-ku, Tokyo 106-0031, Japan

