

GOAL ZERO

YETI[®] 500X LITHIUM

PORTABLE POWER STATION

USER GUIDE





CHARGE ME

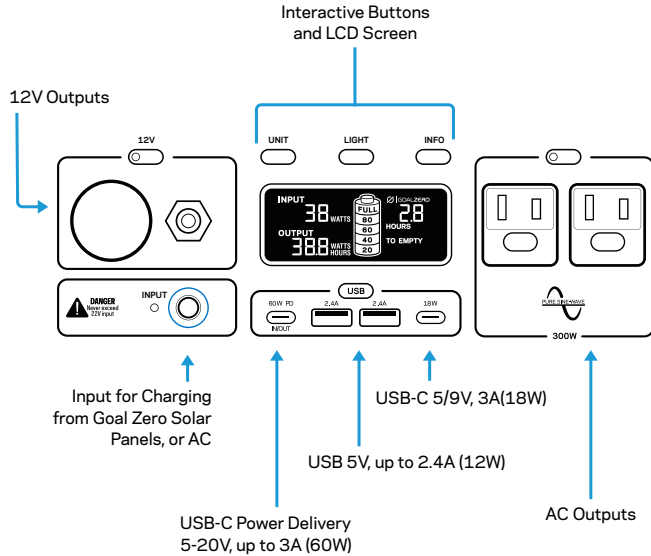
Keep your Goal Zero Yeti plugged in when not in use. For more tips and tricks on keeping your battery healthy, see the BATTERY 101 section (pg. 14).

Table of Contents

Getting Started	
i. Get to Know Your Gear	2
ii. How it Works	
Charging Your Goal Zero Yeti	4
i. Charging From Solar	
ii. Charging From the Wall	
iii. Charging From USB-C	
Using Your Goal Zero Yeti	6
i. Best-Use Strategy	
ii. Cold Weather Usage	
iii. LCD Display	
Storage and Downtime Maintenance	8
Technical Specifications	9
Frequently Asked Questions	10
Troubleshooting	13
Education	14
i. Batteries 101	
ii. Solar 101	
Warranty	16
Français	18
Español	34
Deutsch	50
日本語	66

Get To Know Your Gear

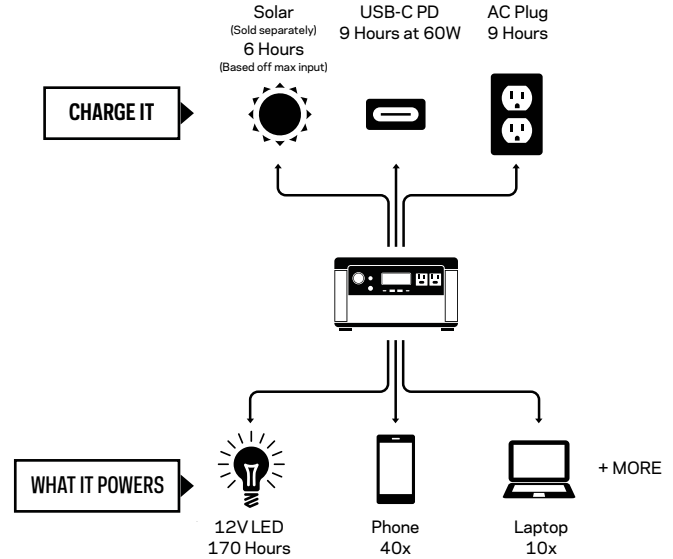
Front of Yeti 500X



Back of Yeti 500X



How it Works



Charging Your Goal Zero Yeti

CHARGE ME: Keep your Goal Zero Yeti plugged in when not in use. For more tips and tricks on keeping your battery healthy, see the BATTERY 101 section (pg. 14).

When charging your Goal Zero Yeti you will notice a battery segment blinking in the display. This indicates the current charge status. Once your Goal Zero Yeti is fully charged, all battery segments will be lit and remain solid. As long as there is more power going into the Goal Zero Yeti than is being pulled from the output ports, the display will also indicate an estimated time until fully charged. This is an estimated time based on the power input and output numbers at that time; it will gradually adjust to a shorter or longer time as the average charge or discharge rates fluctuate.

Charging from Solar

IMPORTANT NOTE: When solar charging your Goal Zero Yeti Lithium, take note of the voltages of the solar panels and do not exceed 22V. Individual solar panels, or solar panels chained in series in excess of 22V cannot be used with the Goal Zero Yeti Lithium and can cause serious damage to the unit. For help on chaining solar panels, call our Customer Solutions Center at 888-794-6250.

Your Goal Zero Yeti has two 8mm charging ports. One is located on the left side of the faceplate. The other is located on the back in the bottom right hand corner. Both 8mm ports are designed to work with Goal Zero solar panels and are capable of taking in 120W of solar.

NOTE: You can only use one 8mm input at a time to charge your Yeti. If you plug into both 8mm input ports at the same time, the Yeti will always default to the front 8mm port.

1. Place your solar panel where it will get as much direct sunlight as possible.
2. Insert the blue-ringed plug from the panel into either input port on the Yeti. You will know the Yeti is charging when the blue LED light next to the input port lights up, and the battery segments in the LCD battery display are blinking. The Yeti is fully charged when all battery segments stop blinking and remain solid.
3. Some Goal Zero panels are chainable to provide more power to your Yeti and reduce solar charge times. The input port is capable of taking in 120W of solar.

Charging from the Wall:

Using the included AC Wall Charger, plug your Goal Zero Yeti into any wall outlet. You will know the Goal Zero Yeti is charging when the blue LED light next to the input port turns on, and battery segments in the battery display are blinking. The Goal Zero Yeti is fully charged when all battery segments stop blinking and remain solid. The Goal Zero Yeti should recharge from the wall in about 9 hours.

1. The AC wall adapter comes in two pieces. Connect the two pieces by plugging the cable into the box.

Charging from USB-C:

Charge your Yeti using the 60W USB-C PD input/output port by plugging into any USB-C charger (sold separately).

NOTE: You can plug into both the 8mm input port and the USB-C input/output port at the same time to receive up to a combined 180 watts.

NOTE: For additional charging options such as car charging and fast charging, visit www.goalzero.com/shop/yeti-accessories.

Using your Goal Zero Yeti

How to use your Goal Zero Yeti:

1. Press the power button located above each port you will be using. **When not using certain ports, make sure to turn them off to conserve power.
2. You'll know the port is turned on when the white LED light on the button is illuminated.
3. Plug in your gear for power anywhere life takes you.
4. If possible, keep your Goal Zero Yeti plugged into a power source when not in use.
5. You can charge your Goal Zero Yeti, and run your gear at the same time.

Best-Use Strategy:

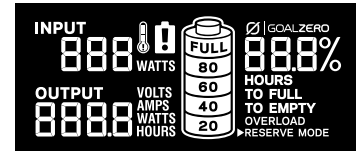
When charging gear with your Goal Zero Yeti, take note of the LCD Battery Display. If you plug in devices that have a high power requirement, the charge level of your Goal Zero Yeti can drop very quickly and you may not get exactly 500Wh of energy. Also, especially when using the AC power output, the Goal Zero Yeti will be converting the energy from the DC power of the battery to the AC power needed by your device. Although your Goal Zero Yeti has a highly efficient inverter, there is still some energy lost in the conversion and you will not get the full rated capacity of the battery. If you're experiencing shorter runtimes, you may want to check the device's power requirements, see TROUBLESHOOTING (pg. 13) for help.

Cold Weather Usage:

Cold temperatures (below freezing) can impact the Goal Zero Yeti's battery capacity. If you'll be out living off-grid in sub-zero conditions, we recommend keeping your Goal Zero Yeti in an insulated cooler, connected to a power source (solar panels), and charging your gear. The natural heat generated by the Goal Zero Yeti contained in an insulated cooler will keep battery capacity at its highest.

LCD Display + Buttons

You can activate the display backlight by pressing the LIGHT button. The built-in LCD display indicates four important things:



1. INPUT shows the amount of power (watts) going into the Goal Zero Yeti while charging. If charging from solar, you'll see the watts change as you reposition the panels into/out of the sunlight.
2. OUTPUT shows the amount of power (watts) your devices are using while plugged into the Goal Zero Yeti.
3. TIME TO EMPTY/FULL shows the amount of time before your Goal Zero Yeti is completely charged or empty, depending on if the net amount of power going into the Goal Zero Yeti is positive or negative.
4. BATTERY LEVEL shows 5 segments, approximating 20% - 40% - 60% - 80% - 100% capacity. As you use your Goal Zero Yeti, segments will disappear from the display, indicating the remaining charge. When charging your Goal Zero Yeti you will notice a battery segment blinking. This indicates the current charge status. Once your Goal Zero Yeti is fully charged, all battery segments will be lit and remain solid. As long as there is more power going into the Goal Zero Yeti than is being pulled from the output ports, the display will also indicate an estimated time until fully charged. This is an estimated time based on the power input and output numbers at that time; it will adjust to a shorter or longer time if the charge or discharge rates fluctuate. Note that when you first plug in a power source, whether it's a solar panel or a wall charger, the Yeti may take a minute to detect and adjust its charge circuitry before it starts drawing power from the source.

Pressing the UNITS button will scroll through different output and power consumption settings. Pressing and holding the UNITS button will reset the WATT HOUR output counter. Pressing the INFO button will alternate the screen between showing the detailed battery state of charge percentage and the Time to Empty/Full.

Storage and Downtime Maintenance

Having your Goal Zero Yeti connected to a power source, like a solar panel or wall plug, between adventures or while in storage keeps its battery healthy and topped off. This prolongs battery life and will ensure your Goal Zero Yeti is charged and ready to go all day, every day.

If you can't keep your Goal Zero Yeti plugged into a power source during storage, fully-charge your Goal Zero Yeti every 3 months and store it in a cool, dry place.

Failure to maintain your Goal Zero Yeti by following these steps can result in battery damage which will void the product warranty.

Technical Specifications


Battery:

Cell Chemistry	Li-ion NMC
Pack Capacity	Up to 505Wh (10.8V, up to 46.8Ah)
Single Cell Equivalent Capacity	Up to 140.4Ah @ 3.6V
Lifecycles	500 Cycles to 80% capacity (Discharge rate: 0.2C, Full charge/discharge, Temp: 25C)
Shelf-life	Charge every 3-6 months
Management System	'MPPT' charge controller, low battery protection

Ports:

USB-C PD port (input/output)	5-20V, up to 3.0A (60W max)
USB-C port (output)	5/9V, up to 3.0A (18W max)
USB-A port (output)	5V, up to 2.4A (12W max)
6mm port (output, 6mm)	12V, up to 10A (120W max)
12V car port (output)	12V, up to 10A (120W max), regulated
120V AC Inverter (output, pure sine wave)	120VAC 60Hz, 2.5A (300W, 1200W surge)
230V AC Inverter (output, pure sine wave) UNIVERSAL OR AUSTRALIA (TYPE I) AC PLUGS	230VAC 50Hz, 1.3A (300W, 1200W surge)
Charging Port (input, 8mm, blue, circle)	13-22V, up to 10A (120W max)

General:

Chainable	No
Weight	12.9 lbs (5.85 kg)
Dimensions	7.5 x 11.25 x 5.8 in (19.05 x 28.58 x 14.73 cm)
Operating usage temp.	32-104 F (0-40 C)
Certs	®  CE
Warranty	12 months

Frequently Asked Questions

What type of battery is in my Goal Zero Yeti?

Your Goal Zero Yeti uses custom designed Lithium Ion. Here are some basic facts about Lithium Ion batteries:

1. Lithium Ion batteries can store and release a lot of energy in a short period of time. The batteries in your Goal Zero Yeti are in a protective enclosure with a sophisticated battery management and protection system controlling its terminals to the outside world.
2. It is critical that your battery does not get wet as moisture and water can get into the battery cells behind the protection circuitry and bypass that protection.

Can I take the Yeti 500X on a plane?

No, the lithium battery is over 100Wh and not allowed on planes under FAA regulations.

How do I know if my Goal Zero Yeti is charged?

To check the charge level of your Goal Zero Yeti, refer to the LCD Battery Display. When lit up, you'll see a battery outline with 5 segments, indicating the current charge level. It is OK to use your Goal Zero Yeti even when it's not fully charged.

Why is the light on the AC button blinking?

A blinking light on the AC button indicates that at the current load, the AC inverter will be shutting off soon. Recharge your Goal Zero Yeti as soon as possible to continue powering your device. Once the AC inverter has shut off, the Yeti will attempt to reset itself three times. After three attempts, the AC inverter will remain off until you physically reset it by pushing the AC button or by recharging the battery a small amount.

Why is the light on the port activation button red?

A red light on the 12V, USB, and AC activation buttons indicate the port has been shut off to protect whatever you have plugged in. Recharge your Goal Zero Yeti as soon as possible to continue powering your devices.

How do I know if my device will work with the Goal Zero Yeti?

First, you'll need to determine the amount of power your device requires. This may require

some research on your end, a good internet search or examining the user guide for your device should suffice.

Second, you will need to check the capacity for the individual output ports. For example, the Goal Zero Yeti's AC port is powered by an inverter that allows for 300W of power. This means if your device is pulling more than 300W for an extended period of time, the Goal Zero Yeti's inverter will shut off. Another number to watch for is the surge rating of your device as compared to that of the port. The Goal Zero Yeti inverter has an advanced surge management system that will maximize its compatibility with various devices, but there will still be items that will surge at a higher rate, and for a longer time, than the Goal Zero Yeti can manage, in which case the port will turn itself off.

Finally, once you know your device is compatible, you'll want to determine how long you'll be able to power your gear from the Goal Zero Yeti. Here's a quick and dirty lesson in power.

All Goal Zero power packs and solar generators have a number in their name, ex. Sherpa 100AC Power Bank, Goal Zero Yeti 500X. These numbers refer to the Watt Hours (Wh), or the amount of energy that can be stored in each battery and how you'll know if your gear is compatible with each Power Station. For example, a 200Wh Power Station should run a 100W light for 2 hours ($200/100=2$). If your gear falls within the 500Wh capacity of the Goal Zero Yeti, you'll want to check the restrictions on each of the output ports.

Troubleshooting

Another factor in the math is how much power is being converted going from the Goal Zero Yeti battery to the device you are powering/charging. In some situations when running a 12V device directly off the 12V port, there will be no conversion and so no additional losses. An example of this, is the LAL 350 running off of the 12V port. In using the USB ports to charge a phone, you add a layer of conversion (12V battery in the Goal Zero Yeti is being converted to a 5V USB output), which introduces around 10% of losses. When using the inverter, there are two layers of conversion (12V to high voltage, DC to AC). The least efficient way of using the battery in the Goal Zero Yeti is to use an AC-DC adapter off the AC ports, as is the case if you use a phone wall charger to charge your phone, as it adds yet another layer of conversion in the wall adapter.

So when you're deciding on what to power from your new Goal Zero Power Station, do some research into your device's watt consumption. For more quick tips and learning tools, check out www.GoalZero.com/learn.html

If your devices are not recharging from your Goal Zero Yeti, follow these steps:

1. Ensure the Output Port has been turned on. The white LED light on the power button should be lit up.
 - a. If any of the lights have turned red, this indicates a trip. Push the button again to reset it. The light will turn white when it is successfully reset.
2. Check the Battery Display. If it is at 20% or below, charge your Goal Zero Yeti.
3. Check the LCD Display for warning icons:

OVERLOAD: Power draw exceeds port's maximum allowance. Indicated by red light in the port's button.

BATT SAFE MODE: Activates when battery voltage drops too low to run the 12V car port effectively (>10.5V). All other ports stay active (designed to protect standard 12V devices).



Temperature warning.
Allow unit to cool.



Battery requires attention.
Contact customer support.
1-888-794-6250

4. Verify your device is suitable for use with the Goal Zero Yeti:
 - a. All of the Goal Zero Yeti output ports have their own max power capacity. Check the Goal Zero Yeti's Tech Specs to ensure your device is compatible.
5. If you are still experiencing trouble with your Goal Zero Yeti, please call our Customer Solutions Center at 1-888-794-6250 or by email at support@goalzero.com

BATTERIES 101: Goal Zero utilizes the latest and greatest in battery technology to accompany you on all life's adventures. From the versatile and lightweight Lithium-ion, to the robust and powerful Lead Acid, we've compiled some helpful tips to keep your Goal Zero batteries working their best.

i. Batteries need exercise.

The best thing for any battery is to use it. Don't leave the battery sitting without being charged for extended periods of time. If you will be storing the Goal Zero Yeti without a charger, make sure it's fully charged before you put it away.

ii. The "Battery Memory" myth.

Thanks to old Nickel-Cadmium (NiCd) batteries, there's a myth running around that you should completely drain your batteries before plugging them in for a recharge, called "deep cycling". Although true with NiCd batteries, the typical batteries you'll find in most of your gear today, including the advanced lithium and lead-acid batteries used in your GOAL ZERO Power Station, require no such draining. In fact, you should avoid deep cycling your batteries – it does more harm than good in most cases.

iii. The "Stadium Effect".

The stadium effect occurs when recharging your batteries. You'll notice your battery quickly filling up in the beginning, then slowing down noticeably when trying to charge up the last several percentages. Think of how quickly a stadium fills up when the doors first open – there are hundreds of open seats so it's easy to find the one you want. Eventually there are only a few open seats here and there and people have to maneuver around to find the spot they want and filling those seats takes longer. The same theory applies to recharging batteries. It's easy for energy to flow in and take up empty space in the beginning, and as time goes on and there is less space available, it takes longer for the energy to fill in the holes.

iv. Read the manual.

It might be a long read, but the manual is the best place to find the do's and don'ts for the battery in your specific device. Reading your manual will ensure you're taking steps to keep your batteries happy and healthy.

SOLAR 101: GOAL ZERO makes it easy to recharge your gear from the sun – we didn't invent solar power, we perfected it. Some things to keep in mind when recharging your gear with solar power:

i. Solar panels don't store power from the sun, they collect it.

We teach you to COLLECT – STORE – USE, which is the best way to utilize solar power to recharge your gear. COLLECT the sun's energy with a solar panel. STORE the power in a Power Station. USE the Power Station to power your gear, day or night. If you're really a diehard, you can plug your gear directly into the junction box located on the back of our NOMAD Solar Panels to recharge from the sun.

ii. Not all solar charge times are created equal.

Most solar panel manufacturers calculate their recharge times with the following equation: $\text{Device Watt Hours} / \text{Solar Panel Watts} = \text{Solar Recharge Times}$. So theoretically, a 13 watt solar panel would recharge a 50 watt-hour recharger in 3.84 hours ($50/13 = 3.84$) – and this is the number you could find in marketing material for a solar panel. However, in order to standardize results across all manufacturers, these tests are completed in laboratory settings. The truth is, on a good, sunny day, you'll receive about 50-75% of your solar panel's rated wattage, and this is how the engineers at GOAL ZERO calculate the solar recharge times you see on our packaging.

iii. Solar works, even in overcast conditions.

Solar panels utilize IR, UV, and visible rays from the sun that can penetrate through clouds. Although the efficiency of the solar panel will decrease in cloudy conditions, you'll still be collecting valuable power from the sun.

iv. Proper alignment works wonders.

Keeping your solar panel angled toward the sun can dramatically increase solar efficiency. Set it up and let Mother Nature do the rest.

Warranty & Contact

LIMITED WARRANTY

GOAL ZERO LLC warrants to the original consumer purchaser that this GOAL ZERO product will be free from defects in workmanship and material under normal consumer use during the applicable warranty period identified in Paragraph 2, below, subject to the exclusions set forth in Paragraph 5, below. This warranty statement sets forth GOAL ZERO's total and exclusive warranty obligation. We will not assume, nor authorize any person to assume for us, any other liability in connection with the sales of our products.

WARRANTY PERIOD

The warranty period for GOAL ZERO battery cells (whether purchased on a stand-alone basis or as part of another product) is 180 days. The warranty period for all other GOAL ZERO products and components is one (1) year. In each case, the warranty period is measured starting on the date of purchase by the original consumer purchaser. The sales receipt from the first consumer purchase, or other reasonable documentary proof, is required in order to establish the start date of the warranty period. If you completed the online GOAL ZERO Product Registration Form within 30 days after purchasing your product, that registration can also establish the start date of the warranty period (but warranty coverage is not conditioned upon such registration).

REMEDY

GOAL ZERO will repair or replace (at GOAL ZERO's option and expense) any GOAL ZERO product that fails to operate during the applicable warranty period due to a defect in workmanship or material.

LIMITED TO ORIGINAL CONSUMER BUYER

The warranty on GOAL ZERO's products is limited to the original consumer purchaser and is not transferable to any subsequent owner.

EXCLUSIONS

GOAL ZERO's warranty does not apply to (i) any product that is misused, abused, modified, damaged by accident, or used for anything other than normal consumer use as authorized in GOAL ZERO's then-current product literature, or (ii) any product purchased through an online auction house. GOAL ZERO's warranty does not apply to any battery cell or product containing a battery cell unless the battery cell is fully charged by you within seven (7) days after you purchase the product and at least once every 6 months thereafter.

HOW TO RECEIVE SERVICE

To obtain warranty service, you must contact our customer service team via telephone at (888) 794-6250, or via email at support@goalzero.com. If our customer service team determines that further assistance is required, they will give you a Return Material Authorization ("RMA") number and will provide you with prepaid return shipping label that you can use to mail back your non-functioning item(s). You must properly package the product, clearly marking the RMA number on the package and including proof of your purchase date with the product. We will process your return and send your repaired or replacement product to you at our expense for product being shipped to locations in North America. For product purchased or being shipped outside of North America, please contact the local distributor from whom you purchased the product or email support@goalzero.com to obtain further distributor information.

IMPLIED WARRANTIES

THE LIMITED WARRANTY STATED HEREIN IS IN LIEU OF ALL OTHER EXPRESS WARRANTIES. IN NO EVENT SHALL ANY IMPLIED WARRANTIES, INCLUDING BUT NOT LIMITED TO ANY WARRANTIES OF MERCHANTABILITY, FITNESS FOR A PARTICULAR PURPOSE OR NON-INFRINGEMENT, EXTEND BEYOND THE APPLICABLE WARRANTY PERIOD IDENTIFIED IN PARAGRAPH 2, ABOVE. Some states do not allow limitations on how long an implied warranty lasts, so the above limitation may not apply to you. This warranty gives you specific legal rights, and you may also have other rights which vary from state to state.

EXCLUSIVE REMEDY; LIMITATION OF LIABILITY

The foregoing provisions state GOAL ZERO's entire liability, and your exclusive remedy, for any breach of warranty, express or implied. IN NO EVENT WILL GOAL ZERO BE LIABLE FOR ANY CONSEQUENTIAL OR INCIDENTAL DAMAGES ARISING FROM ANY USE OR MALFUNCTION OF ANY GOAL ZERO PRODUCT, OR FROM ANY BREACH OF WARRANTY, INCLUDING DAMAGE TO OTHER DEVICES. IN NO EVENT WILL GOAL ZERO'S LIABILITY FOR ANY CLAIM, WHETHER IN CONTRACT, WARRANTY, TORT (INCLUDING NEGLIGENCE AND STRICT LIABILITY) OR UNDER ANY OTHER THEORY OF LIABILITY, EXCEED THE AMOUNT PAID BY YOU FOR THE GOAL ZERO PRODUCT. Some states do not allow the exclusion or limitation of incidental or consequential damages, so the above limitation or exclusion may not apply to you.



FREE EXTENDED WARRANTY

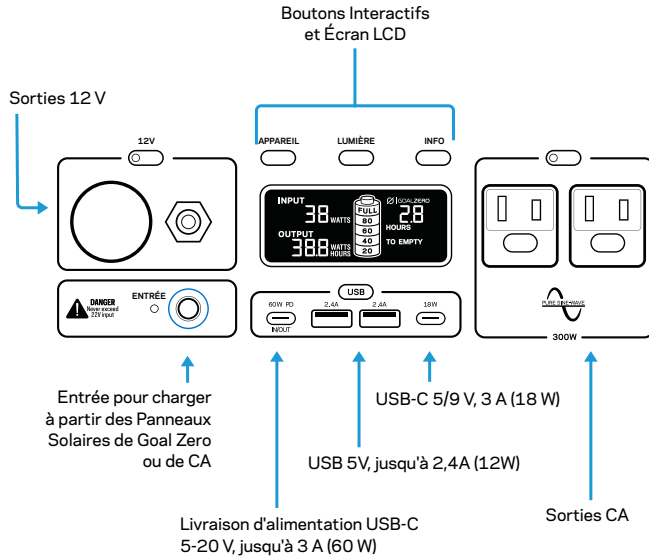
Get an ADDITIONAL YEAR of protection for your Goal Zero Yeti Lithium Portable Power Station by simply registering your product at:

GOALZERO.com/extendedwarranty

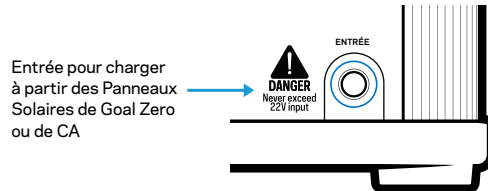
This gives you TWO TOTAL years of worry-free product coverage. It's free and easy peace of mind for you and your new Power Station.

Apprendre à Connaître Votre Équipement

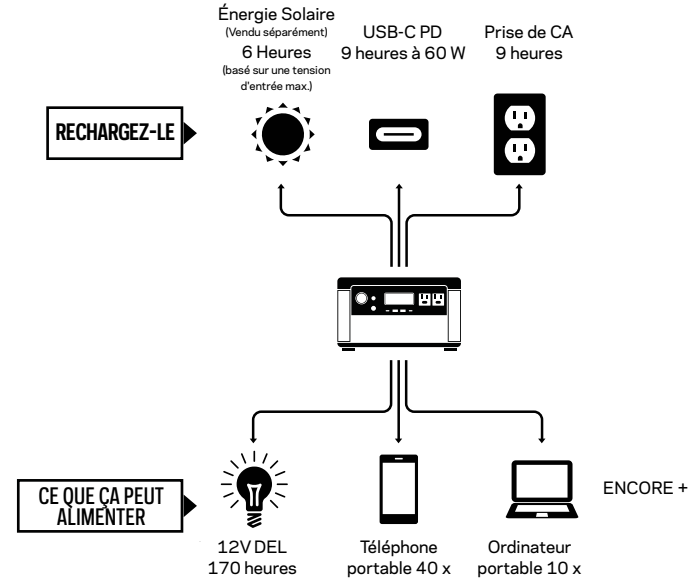
Face avant du Yeti 500X



Face arrière du Yeti 500X



Comment il fonctionne



Recharger Votre Goal Zero Yeti

RECHARGEZ-MOI : Gardez votre Goal Zero Yeti branché lorsqu'il n'est pas utilisé. Pour plus de conseils et d'astuces pour maintenir le bon fonctionnement de votre batterie, consultez la section PRINCIPES DE BASE SUR LES BATTERIES (p. 14).

Lorsque vous rechargez votre Goal Zero Yeti, vous remarquerez un segment de la batterie qui clignotera à l'écran. Cela indique l'état actuel de charge. Une fois que votre Goal Zero Yeti est complètement rechargé, tous les segments de la batterie s'allumeront et resteront allumés. Tant qu'il y aura plus de courant entrant dans la batterie Goal Zero Yeti que de courant tiré des ports de sortie, l'affichage indiquera également un temps estimé jusqu'à ce qu'il soit complètement rechargé. Il s'agit d'une durée estimée basée sur le nombre d'entrées et de sorties d'alimentation à ce moment-là ; Cette durée s'ajustera à un temps plus court ou plus long lorsque les taux de charge ou de décharge fluctuent.

Charger à partir d'une Source d'Énergie Solaire

NOTE IMPORTANTE : Lors de la recharge grâce à l'énergie solaire de votre Goal Zero Yeti Lithium, gardez un œil sur les tensions des panneaux solaires et veillez à ne pas dépasser 22 V. Les panneaux solaires individuels, ou panneaux solaires enchaînés en série au-dessus de 22V ne peuvent pas être utilisés avec votre Goal Zero Yeti Lithium et peuvent causer des dommages sérieux à l'appareil. Pour obtenir de l'aide sur le chaînage des panneaux solaires, appelez notre Centre de Solutions pour nos Clients au 888-794-6250.

Votre Goal Zero Yeti dispose de deux ports de chargement de 8 mm. L'un est situé sur le côté gauche de la face avant. L'autre est situé à l'arrière, dans le coin inférieur droit. Ces deux ports de 8 mm sont conçus pour fonctionner avec des panneaux solaires Goal Zero et sont capables de recevoir 120 W d'énergie solaire.

REMARQUE : Vous ne pouvez utiliser qu'une entrée de 8 mm à la fois pour recharger votre Yeti. Si vous branchez deux entrées de 8 mm en même temps, le Yeti utilisera toujours par défaut le port de 8 mm situé à l'avant.

1. Placez votre panneau solaire où il obtiendra le plus de lumière directe du soleil que possible.
2. Insérez la fiche à anneau bleu du panneau dans l'un des ports d'entrée du YETI. Vous saurez quand le Yeti sera en charge lorsque le voyant bleu à côté du port d'entrée s'allumera et que les segments de la batterie dans l'affichage LCD de la batterie clignoteront. Le Yeti est complètement chargé lorsque tous les segments de la batterie cessent de clignoter et restent éclairés en continu.
3. Certains panneaux solaires Goal Zero peuvent être branchés en série pour fournir plus d'énergie à votre Yeti et ainsi réduire les temps de charge solaire. Le port d'entrée peut supporter jusqu'à 120 W de puissance solaire.

Recharger à partir d'une Prise Murale

En utilisant le chargeur mural CA inclus, branchez votre Goal Zero Yeti dans n'importe quelle prise murale. Vous saurez quand le Goal Zero Yeti sera en charge lorsque le voyant bleu à côté du port d'entrée s'allumera et que les segments de la batterie dans l'affichage LCD de la batterie clignoteront. Le Goal Zero Yeti est complètement chargé lorsque tous les segments de la batterie cessent de clignoter et restent éclairés en continu. Le Goal Zero Yeti devrait se recharger à partir d'une prise murale en 9 heures environ.

1. L'adaptateur mural CA est livré en deux pièces détachées. Connectez les deux pièces en branchant le câble dans le boîtier.

Charger à partir d'un USB-C :

Rechargez votre Yeti en utilisant le port d'entrée/sortie USB-C PD de 60 W dans tout chargeur USB-C (vendu séparément).

REMARQUE : Vous pouvez brancher au port d'entrée de 8 mm et au port d'entrée/sortie USB-C en même temps pour recevoir une combinaison de 180 watts.

REMARQUE : Pour plus d'options de recharge telles que les recharges en voiture ou rapides, veuillez visiter notre site www.goalzero.com/shop/yeti-accessories.

Utiliser votre Goal Zero Yeti

Comment utiliser votre Goal Zero Yeti :

1. Appuyez sur l'interrupteur d'alimentation situé au-dessus de chaque port que vous allez utiliser. **Si vous n'utilisez pas certains ports, veillez à les éteindre pour économiser l'énergie.
2. Vous saurez quand le port sera allumé lorsque le voyant blanc du bouton s'illuminera.
3. Branchez votre équipement pour qu'il fonctionne n'importe où que vous soyez.
4. Si possible, gardez votre Goal Zero Yeti branché sur une prise d'alimentation lorsqu'il n'est pas utilisé.
5. Vous pouvez recharger votre Goal Zero Yeti et vous servir de votre équipement en même temps.

Stratégie d'Utilisation Optimale :

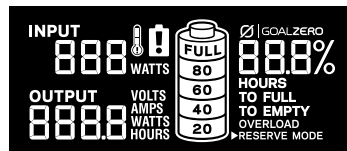
Lorsque vous rechargez vos appareils avec le Goal Zero Yeti, prenez note de l'écran LCD de la batterie. Si vous branchez des appareils nécessitant une puissance élevée, le niveau de charge de votre Goal Zero Yeti peut chuter très rapidement et vous ne pourrez pas obtenir exactement 500 Wh d'énergie. De plus, lorsque vous utilisez la sortie d'alimentation CA, la batterie Goal Zero Yeti convertira l'énergie du courant CC de sa batterie en courant alternatif nécessaire au bon fonctionnement de votre appareil. Bien que votre Goal Zero Yeti dispose d'un onduleur très efficace, il y a toujours un peu d'énergie perdue dans la conversion et vous n'obtiendrez pas la pleine capacité nominale de la batterie. Si vous rencontrez des durées d'utilisation bien plus courtes, vous devriez peut-être vérifier les exigences d'alimentation de l'appareil en question, voir la section DÉPANNAGE (p. 13) pour obtenir de l'aide.

Utilisation par Temps Froid :

Les températures froides (en dessous du point de congélation) peuvent influencer sur la capacité de la batterie du Goal Zero Yeti. Si vous êtes en pleine nature dans des conditions froides inférieures à zéro, nous vous recommandons de garder votre Goal Zero Yeti dans une glacière isotherme, connecté à une source d'alimentation (panneaux solaires), et en train de recharger votre équipement. La chaleur naturelle générée par le Goal Zero Yeti contenu dans une glacière isotherme maintiendra la capacité de sa batterie à son maximum.

Affichage LCD + Boutons

Vous pouvez activer le rétro-éclairage de l'écran en appuyant sur le bouton LIGHT (lumière). L'écran LCD intégré indique quatre choses importantes :



1. **INPUT** (entrée) vous indique la quantité de courant (watts) entrant dans le Goal Zero Yeti pendant le chargement. Si vous le rechargez depuis une source d'énergie solaire, vous verrez le nombre de watts changer lorsque vous modifiez la position des panneaux solaires en fonction des rayons du soleil.
2. **OUTPUT** (sortie) vous indique la quantité de courant (watts) utilisée par vos appareils pendant qu'ils sont branchés sur le Goal Zero Yeti.
3. **TIME TO EMPTY/FULL** (temps restant/plein) indique le temps nécessaire restant pour que votre Goal Zero Yeti soit totalement rechargé ou vide, dépendamment du montant net de courant géré par le Goal Zero Yeti, et si ce montant est positif ou négatif.
4. **BATTERY LEVEL** (niveau de la batterie) vous indique 5 segments, approximativement 20% - 40% - 60% - 80% - 100% de sa capacité. Lorsque vous utilisez votre Goal Zero Yeti, les segments disparaissent de l'affichage, indiquant la charge restante. Lorsque vous chargez votre Goal Zero Yeti, vous remarquerez un segment de la batterie qui clignote. Cela indique l'état actuel de charge. Une fois que votre Goal Zero Yeti est complètement rechargé, tous les segments de la batterie s'allumeront et resteront allumés. Tant qu'il y aura plus de courant entrant dans la batterie Goal Zero Yeti que de courant tiré des ports de sortie, l'affichage indiquera également un temps estimé jusqu'à ce qu'il soit complètement rechargé. Il s'agit d'une durée estimée basée sur le nombre d'entrées et de sorties utilisées à ce moment-là ; Cette durée s'ajustera à un temps plus court ou plus long si les taux de charge ou de décharge fluctuent. Notez que lorsque vous branchez une source d'alimentation, qu'il s'agisse d'un panneau solaire ou d'un chargeur mural, le Yeti peut prendre une minute pour détecter et ajuster ses circuits de charge avant de commencer à se charger depuis cette source.

En appuyant sur le bouton UNITS, vous faites défiler les différents paramètres de sortie et de consommation d'énergie. Appuyez sur le bouton UNITS et maintenez-le enfoncé pour réinitialiser le compteur de sortie WATT HOUR. En appuyant sur le bouton INFO, vous alternerez l'écran entre l'indication détaillée du pourcentage de charge de la batterie et le temps restant/plein.

Stockage et Temps d'Arrêt pour la Maintenance

En ayant votre Goal Zero Yeti connecté à une source d'alimentation, comme un panneau solaire ou prise murale, entre deux aventures ou pendant son stockage gardera sa batterie en bon état et rechargée. Cela prolongera la durée de vie de la batterie et garantira que votre Goal Zero Yeti sera toujours chargé et prêt à fonctionner à n'importe quelle heure du jour ou de la nuit.

Si vous ne pouvez pas avoir votre Goal Zero Yeti branché à une source d'alimentation pendant son stockage, chargez entièrement votre Goal Zero Yeti tous les 3 mois et rangez-le dans un endroit frais et sec. Si vous ne suiviez pas ces étapes pour maintenir votre Goal Zero Yeti en bon état, cela pourra entraîner des dommages à la batterie qui annuleront la garantie du produit.

Spécifications Techniques


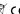
Batterie :

Type de batterie	Li-ion NMC
Capacité du Bloc	Jusqu'à 505 Wh (10,8 V, jusqu'à 46,8 Ah)
Capacité équivalente de la batterie	Jusqu'à 140,4 Ah à 3,6 V
Cycles de vie	500 cycles jusqu'à la capacité de 80 % (taux de décharge : 0,2 C, charge complète/décharge, temp : 25 °C)
Durée de vie	À recharger tous les 3 à 6 mois
Système de gestion	Contrôleur de charge "MPPT", protection de la batterie lorsqu'elle est faible

Ports :

Port USB-C PD (entrée/sortie)	5-20 V, jusqu'à 3,0 A (60 W max)
Port USB-C (sortie)	5/9 V, jusqu'à 3,0 A (18 W max)
Port USB-A (sortie)	5V, jusqu'à 2,4A (12W max)
Port 6 mm (sortie, 6 mm)	12V, jusqu'à 10A (120W max)
Port voiture 12 V (sortie)	12 V, jusqu'à 10 A (120 W max), régulé
Convertisseur 120V CA (sortie, onde sinusoïdale)	120 V CA 60 Hz, 2,5 A (300W, 1200W tension max.)
Convertisseur 230V CA (sortie, onde sinusoïdale)	230 V CA 50 Hz, 1,3 A (300 W, 1200 W tension max.)
PRISES CA UNIVERSELLE OU AUSTRALIENNE (TYPE 1)	
Port de Chargement (entrée, 8mm, bleu, cercle)	13-22 V, jusqu'à 10 A (120 W max)

Général :

Connexion en série	Non
Poids	12,9 livres (5,85 kg)
Dimensions	7,5 x 11,25 x 5,8 pouces (19,05 x 28,58 x 14,73 cm)
Température de fonctionnement à l'usage	0 à 40°C (32 à 104°F)
Certifications	 
Garantie	12 mois

Quel type de batterie est dans mon Goal Zero Yeti ?

Votre Goal Zero Yeti utilise une batterie au lithium-ion personnalisée. Voici quelques données factuelles fondamentales sur les batteries au lithium-ion :

1. Les batteries au lithium-ion peuvent stocker et libérer beaucoup d'énergie en peu de temps. Les batteries de votre Goal Zero Yeti sont dans un boîtier de protection avec un système sophistiqué de gestion et de protection des batteries qui contrôle ses terminaux connectés avec l'extérieur.
2. Il est primordial que votre batterie ne soit jamais mouillée car l'humidité et l'eau peuvent entrer dans les cellules de la batterie derrière les circuits de protection et contourner cette protection.

Puis-je emmener le Yeti 500X en avion ?

Non, la batterie au lithium fait plus de 1000 Wh et n'est pas autorisée, conformément aux réglementations FAA.

Comment puis-je savoir si mon Goal Zero Yeti est bien chargé ?

Pour vérifier le niveau de charge de votre Goal Zero Yeti, reportez-vous à l'écran LCD de la batterie. Une fois allumé, vous verrez une description de la batterie avec 5 segments, indiquant le niveau de charge actuel. Il est acceptable d'utiliser votre Goal Zero Yeti même s'il n'est pas complètement chargé.

Pourquoi la lumière du bouton CA clignote ?

Un voyant clignotant sur le bouton CA indique qu'avec l'utilisation électrique en cours, le convertisseur CA s'éteindra bientôt. Rechargez votre Goal Zero Yeti dès que possible pour continuer à alimenter votre appareil. Une fois que le convertisseur CA sera éteint, le Yeti tentera de se réinitialiser trois fois. Après trois tentatives, le convertisseur CA restera éteint jusqu'à ce que vous le réinitialisez physiquement en appuyant sur le bouton CA ou en rechargeant un peu la batterie.

Pourquoi la lumière située sur le port d'activation est-elle rouge ?

Un voyant rouge sur les boutons de 12V, USB et activation CA indique que le port a été coupé pour protéger tout ce que vous avez branché. Rechargez votre Goal Zero Yeti dès que possible pour continuer à alimenter vos appareils.

Comment puis-je savoir si mon appareil fonctionne avec le Goal Zero Yeti ?

Tout d'abord, vous devrez déterminer la quantité d'énergie nécessaire à votre appareil. Cela peut nécessiter des recherches de votre côté, une bonne recherche sur Internet ou l'examen du guide d'utilisation de votre appareil devrait suffire.

Puis, vous devrez vérifier la capacité de chaque port de sortie individuel. Par exemple, le port CA de Goal Zero Yeti est alimenté par un onduleur qui permet de faire passer 300W de courant. Cela signifie que si votre appareil consomme plus de 300 W pendant une période prolongée, l'inverseur de Goal Zero Yeti s'éteindra. Un autre nombre à surveiller est la tension de votre appareil par rapport à celle du port pour éviter une surtension. Le convertisseur du Goal Zero Yeti dispose d'un système avancé de gestion des surtensions qui maximisera sa compatibilité avec divers dispositifs, mais il y aura toujours des appareils dont la tension augmentera à un rythme plus élevé, et pendant une période plus longue, que le Goal Zero Yeti ne pourra plus gérer, et dans ce cas, le port s'éteindra. Finalement si l'appareil est reconnu comme étant compatible, vous devrez déterminer combien de temps vous pourrez alimenter cet appareil à partir du Goal Zero Yeti. Voici une leçon rapide et grossière sur l'énergie.

Toutes les batteries de secours et générateurs solaires de Goal Zero possèdent un numéro dans leur nom, p.ex. batterie de secours Sherpa 100AC, Goal Zero Yeti 500X. Ces chiffres se réfèrent aux Watts par Heure (Wh), ou à la quantité d'énergie qui peut être stockée dans chaque batterie, et comment vous saurez si votre équipement est compatible avec chaque station de recharge. Par exemple, une station de recharge de 200 Wh devrait faire fonctionner une lampe de 100 W pendant 2 heures ($200/100 = 2$). Si votre équipement tombe dans la capacité de 500 Wh du Goal Zero Yeti, vous devriez vérifier les restrictions sur chacun des ports de sortie.

Un autre facteur dans ces calculs électriques est la quantité de puissance en cours de conversion allant de la batterie du Goal Zero Yeti vers l'appareil que vous utilisez/chargez. Dans certaines situations, lors de l'exécution d'un appareil 12 V directement sur le port 12 V, il n'y aura pas de conversion et donc pas de pertes supplémentaires. Un exemple est le LAL 350 fonctionnant sur le port 12 V. En utilisant les ports USB pour charger un téléphone, vous ajoutez une couche de conversion (la batterie de 12V du Goal Zero Yeti est convertie en sortie USB 5V), ce qui introduit environ 10% de perte. Lors de l'utilisation du convertisseur, il existe deux couches de conversion (de 12V à haute tension, et de CC à CA). Le moyen le moins efficace d'utiliser la batterie du Goal Zero Yeti est d'utiliser un adaptateur CA-CC en sortie des ports CA, comme lorsque vous utilisez un bloc chargeur pour charger votre téléphone, car cela ajoute une couche de conversion en plus des deux de l'adaptateur secteur.

Donc, lorsque vous décidez quel appareil il faut alimenter depuis votre nouveau chargeur Goal Zero, faites quelques recherches sur la consommation en watt de votre appareil. Pour plus de conseils et des outils d'apprentissage, veuillez visiter www.GoalZero.com/learn.html

Dépannage

Si vos appareils ne se rechargent pas depuis votre Goal Zero Yeti, procédez comme suit :

1. Assurez-vous que le port de sortie soit allumé. Le voyant lumineux blanc du bouton d'alimentation doit être allumé.
 - a. Si l'un des voyants est rouge, cela indique un court-circuit. Appuyez de nouveau sur le bouton pour le réinitialiser. Le voyant devient blanc lorsqu'il est bien réinitialisé.
2. Vérifiez l'écran d'affichage de la batterie. S'il reste 20% ou moins d'énergie, pensez à recharger votre Goal Zero Yeti.
3. Vérifiez l'écran LCD pour les icônes d'avertissement :

SURCHARGE (OVERLOAD) : La consommation d'énergie dépasse l'allocation maximale du port. Cela est indiqué par le voyant rouge sur le bouton du port.

MODE SÉCURITÉ BATTERIE : Ce mode s'active lorsque la tension de la batterie tombe trop bas pour faire fonctionner correctement l'allume-cigares de 12 V (> 10,5 V). Tous les autres ports restent actifs (conçus pour protéger les appareils 12V standards).



Alerte sur la température. Laissez refroidir l'appareil.



La batterie nécessite de l'attention. Contactez le service clientèle. 1-888-794-6250

4. Vérifiez que votre appareil soit compatible avec le Goal Zero Yeti :
 - a. Tous les ports de sortie du Goal Zero Yeti ont leur propre capacité de puissance maximale. Vérifiez les caractéristiques techniques du Goal Zero Yeti pour vous assurer que votre appareil est bien compatible.
5. Si vous avez encore des problèmes avec votre Goal Zero Yeti, veuillez appeler notre Centre de Solutions pour nos Clients au 1-888-794-6250 ou contactez-nous par courriel à support@goalzero.com

PRINCIPES DE BASE SUR LES BATTERIES : Goal Zero utilise la toute dernière et meilleure technologie des batteries pour vous accompagner dans toutes vos plus grandes aventures.

Du lithium-ion polyvalent et léger, à l'acide de plomb robuste et puissant, nous avons compilé quelques conseils utiles pour garder vos batteries Goal Zero au top de leur capacité.

i. Les batteries ont besoin d'exercice.

La meilleure chose pour toute batterie est de l'utiliser. N'oubliez pas la batterie au fond d'un tiroir pendant une période prolongée sans la recharger régulièrement. Si vous décidez de stocker votre Goal Zero Yeti sans chargeur permanent, assurez-vous qu'il soit complètement rechargé avant de le stocker.

ii. Le mythe de la «Mémoire de la Batterie».

À cause des vieilles batteries au Nickel-Cadmium (NiCd), un mythe persiste autour duquel vous devriez complètement vider vos batteries avant de les brancher pour une recharge, appelé «cycle profond». Bien que vrai pour ces batteries au NiCd, les batteries typiques que vous trouvez dans la plupart de vos appareils d'aujourd'hui, y compris les batteries avancées au lithium et à l'acide de plomb utilisées dans vos chargeurs GOAL ZERO, ne nécessitent pas de tels drainages. En fait, vous devriez éviter de vider complètement vos batteries - cela leur fait plus de mal que de bien dans la plupart des cas.

iii. «L'effet du Stade».

L'effet du stade se produit lors de la recharge de vos batteries. Vous remarquerez que votre batterie se remplit rapidement au début, puis le remplissage ralentit sensiblement lorsque vous essayez de recharger les derniers pourcentages. Pensez à la rapidité à laquelle un stade se remplit initialement lorsque les portes s'ouvrent - il y a des centaines de sièges libres et il est donc facile de trouver celui que vous voulez. Éventuellement, il ne reste plus que quelques sièges de libres ici et là et les gens doivent aller de tous les côtés pour trouver les sièges qu'ils veulent et donc remplir ces derniers sièges libres prend beaucoup plus de temps. La même théorie s'applique à la recharge des batteries. Il est facile pour l'énergie de remplir l'espace vide au début, et au fur et à mesure que le temps passe et qu'il y a de moins en moins d'espace disponible, il lui faut donc plus de temps pour remplir les vides restants.

iv. Lisez le manuel.

Ça peut prendre du temps, mais le manuel est le meilleur endroit pour trouver ce qu'il faut faire et ne pas faire avec la batterie de votre appareil. Une bonne lecture de ce manuel vous assurera de suivre les meilleures mesures pour garder vos batteries en bon état et prêtes à l'emploi.

PRINCIPES DE BASE SUR L'ÉNERGIE SOLAIRE : GOAL ZERO facilite la recharge de votre équipement à partir d'énergie solaire - nous n'avons pas inventé l'énergie solaire, nous l'avons simplement perfectionnée. Certaines choses se rappellent lors de la recharge de votre équipement par le biais de l'énergie solaire :

i. Les panneaux solaires ne stockent pas les rayons du soleil, ils les recueillent.

Nous vous apprenons à RECUEILLIR - STOCKER - UTILISER, ce qui s'avère être la meilleure façon d'utiliser l'énergie solaire pour recharger votre équipement. RECUEILLIR les rayons du soleil avec un panneau solaire. STOCKER leur énergie dans un chargeur. UTILISER le chargeur pour alimenter votre équipement, de jour comme de nuit. Si vous êtes vraiment un irréductible, vous pouvez brancher votre équipement directement dans la boîte de distribution située à l'arrière de nos panneaux solaires NOMAD pour recharger directement à partir du soleil.

ii. Tous les temps de recharge solaire n'ont pas été créés égaux.

La plupart des fabricants de panneaux solaires calculent leurs temps de recharge avec l'équation suivante : Watts par heure de l'appareil / Wattage du panneau solaire = Temps de la recharge par l'énergie solaire. Ainsi, théoriquement, un panneau solaire de 13 watts rechargerait un chargeur de 50 watts-heure en 3,84 heures ($50/13 = 3,84$) - et c'est le nombre que vous pourriez donc trouver dans le matériel de marketing pour un panneau solaire. Cependant, afin de standardiser les résultats pour tous les fabricants, ces tests sont effectués en laboratoire. La réalité est que, lors d'une belle journée ensoleillée, vous recevrez environ 50-75% de l'énergie nominale de votre panneau solaire, et c'est ainsi que les ingénieurs de GOAL ZERO calculent les temps de recharge par énergie solaire que vous voyez sur nos documents et emballages.

iii. Les panneaux solaires fonctionnent, même lorsque le temps est couvert.

Les panneaux solaires utilisent les RI, UV, et rayons visibles du soleil qui peuvent traverser les nuages. Bien que l'efficacité du panneau solaire diminuera dans des conditions nuageuses, vous pourrez toujours recueillir de cette précieuse énergie du soleil.

iv. Un bon alignement marche à merveille.

Garder votre panneau solaire incliné vers le soleil peut considérablement augmenter l'efficacité de la réception d'énergie solaire. Installez votre appareil, et laissez Dame Nature faire le reste.

GARANTIE LIMITÉE

GOAL ZERO LLC garantit à l'acheteur initial que ce produit de GOAL ZERO sera exempt de défauts de fabrication et de matériel original dans des conditions d'utilisation normale du consommateur pendant la période de garantie applicable identifiée au paragraphe 2 ci-dessous, sous réserve des exclusions énoncées au paragraphe 5 ci-dessous. Cette garantie énonce l'obligation de garantie totale et exclusive de GOAL ZERO. Nous n'assurons pas, ni n'autorisons aucune personne à assumer pour nous, toute autre responsabilité dans le cadre de la vente de nos produits.

PÉRIODE DE GARANTIE

La période de garantie des éléments de la batterie GOAL ZERO (achetés individuellement ou en tant que partie d'un autre produit) est de 180 jours. La période de garantie pour tous les autres produits et composants de GOAL ZERO est d'un (1) an. Dans tous les cas, la période de garantie est mesurée à compter de la date d'achat par l'acheteur initial. Le reçu de vente du premier achat du consommateur, ou autre document raisonnable prouvant cet achat, est nécessaire pour établir la date de commencement de la période de garantie. Si vous avez rempli le Formulaire d'Enregistrement du Produit GOAL ZERO en ligne dans les 30 jours suivant l'achat de votre produit, cet enregistrement peut également établir la date de commencement de la période de garantie (mais la garantie ne dépend pas d'un tel enregistrement).

RECOURS

GOAL ZERO réparera ou remplacera (au choix et à la charge de GOAL ZERO) tout produit GOAL ZERO qui ne fonctionnera pas pendant la période de garantie applicable en raison d'un défaut de fabrication ou de matériel.

LIMITÉE À L'ACHETEUR CONSOMMATEUR INITIAL

La garantie sur les produits de GOAL ZERO est limitée à l'acheteur initial et n'est pas transférable à tout propriétaire subséquent.

EXCLUSIONS

La garantie de GOAL ZERO ne s'applique pas (i) aux produits qui ont été mal utilisés, maltraités, modifiés, endommagés par accident ou utilisés à des fins autres que l'usage normal qu'aurait dû en faire le consommateur, tel qu'autorisé par la documentation actuelle de GOAL ZERO ou (ii) acheté sur un site d'enchères en ligne. La garantie de GOAL ZERO ne s'applique à aucun élément de la batterie ou produit contenant un élément de la batterie, à moins que cet élément de la batterie ne soit entièrement chargé par vous dans les sept (7) jours suivant l'achat du produit et au moins une fois tous les 6 mois par la suite.

COMMENT OBTENIR CE SERVICE

Pour obtenir le service de garantie, vous devez contacter notre équipe de service à la clientèle par téléphone au +1 (888) 794-6250, ou par courriel à support@goalzero.com. Si notre équipe de service à la clientèle détermine qu'une assistance supplémentaire est requise, elle vous donnera un numéro d'autorisation de retour de matériel (Return Material Authorization ou « RMA » en anglais) et vous fournira un bordereau d'expédition retour prépayé que vous pourrez utiliser pour renvoyer votre/vos article(s). Vous devez correctement emballer le produit, en marquant clairement le numéro RMA sur l'emballage et en incluant une preuve de votre date d'achat du produit. Nous traiterons votre retour et vous renverrons le produit réparé ou un produit de remplacement à nos frais pour toute réexpédition à des adresses situées en Amérique du Nord. Pour les produits achetés ou expédiés en dehors d'Amérique du Nord, veuillez contacter le distributeur local auprès duquel vous avez acheté le produit ou envoyez un courriel à support@goalzero.com pour obtenir plus d'informations sur votre distributeur local.

GARANTIES IMPLICITES

LA GARANTIE LIMITÉE DÉCLARÉE DANS CE DOCUMENT REMPLACE TOUTE AUTRE GARANTIE EXPRIMÉE. EN AUCUN CAS, LES GARANTIES IMPLICITES, Y COMPRIS, MAIS SANS S'Y LIMITER, TOUTE GARANTIE DE QUALITÉ MARCHANDE, D'ADÉQUATION À UN USAGE PARTICULIER OU DE NON-CONTREFAÇON, NE PEUVENT S'ÉTENDRE AU-DELÀ DE LA PÉRIODE DE GARANTIE APPLICABLE DÉCRITE AU PARAGRAPHE 2 CI-DESSUS. Certains États n'autorisent pas les limitations sur la durée d'une garantie implicite, de sorte que la limitation ci-dessus pourrait ne pas s'appliquer à votre situation. Cette garantie vous donne des droits légaux spécifiques, et vous pouvez également avoir d'autres droits qui varient d'un État à l'autre.

RECOURS EXCLUSIF ; LIMITATION DE RESPONSABILITÉ

Les dispositions qui précèdent énoncent la responsabilité entière de GOAL ZERO et votre recours exclusif pour toute violation de la garantie, explicite ou implicite. EN AUCUN CAS, GOAL ZERO NE SERA TENU RESPONSABLE DE TOUT DOMMAGE INDIRECT OU ACCESSOIRE DÉCOULANT DE TOUTE UTILISATION OU DÉFAUT DE TOUT PRODUIT GOAL ZERO OU DE TOUTE VIOLATION DE GARANTIE, Y COMPRIS LES DOMMAGES À D'AUTRES DISPOSITIFS. EN AUCUN CAS LA RESPONSABILITÉ DE GOAL ZERO POUR TOUTE RÉCLAMATION, QUE CE SOIT PAR CONTRAT, GARANTIE, DÉLIT (Y COMPRIS LA NÉGLIGENCE ET LA RESPONSABILITÉ STRICTE) OU SOUS UNE AUTRE THÉORIE DE RESPONSABILITÉ, N'EXCÉDERA LE MONTANT PAYÉ PAR VOUS POUR LE PRODUIT DE GOAL ZERO. Certains États n'autorisent pas l'exclusion ou la limitation des dommages indirects ou accessoires, de sorte que la limitation ou l'exclusion ci-dessus pourrait ne pas s'appliquer à votre situation.



EXTENSION GRATUITE DE LA GARANTIE

Obtenez une ANNÉE SUPPLÉMENTAIRE de protection pour votre alimentation portable Goal Zero Yeti Lithium en enregistrant simplement votre produit sur :

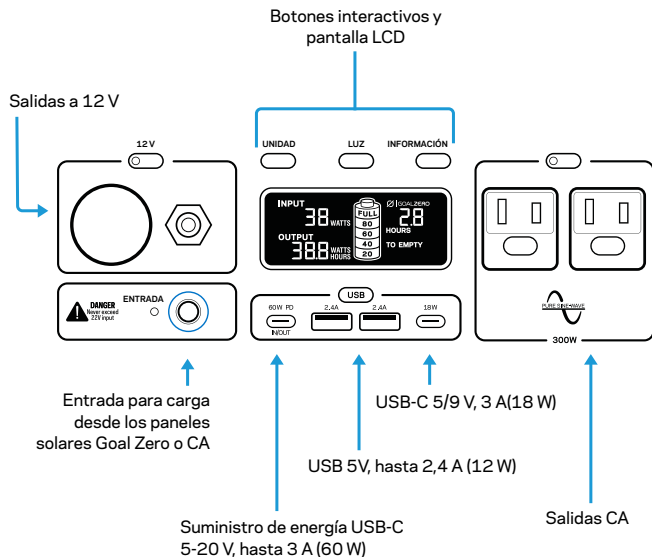
GOALZERO.com/extendedwarranty

Cela vous donne DEUX ANNÉES ENTIÈRES de couverture sans tracas pour votre produit.

Cela assure une tranquillité d'esprit gratuite et facile pour vous et votre nouveau chargeur.

Conozca sus dispositivos

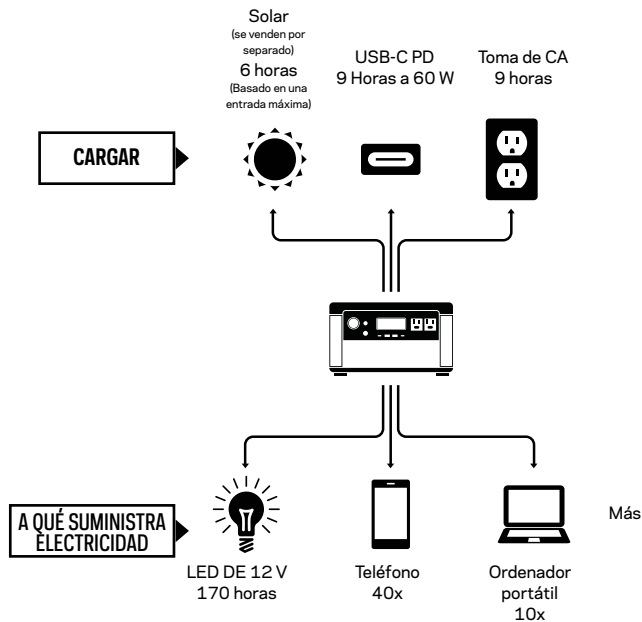
Parte frontal de Yeti 500X



Parte trasera de Yeti 500X



Cómo funciona



Cómo cargar su Goal Zero Yeti

CÁRGUEME: Mantenga su Goal Zero Yeti conectado cuando no lo esté usando. Para obtener más consejos y sugerencias sobre cómo mantener la batería en buenas condiciones, consulte la sección BATERÍA 101. (pág. 14).

Al cargar su Goal Zero Yeti, notará que un segmento de la batería parpadea en la pantalla. Esto indica el estado de carga actual. Una vez que su Goal Zero Yeti esté completamente cargado, todos los segmentos de la batería se encenderán y permanecerán estables. Siempre que el Goal Zero Yeti esté recibiendo mas carga de la que esté sacando de los puertos de salida, la pantalla también indicará un tiempo estimado hasta que esté totalmente cargada. Este es un tiempo estimado basado en los números de entrada y salida de energía en ese momento; se ajustará a un tiempo más corto o más largo si las tasas de carga o descarga fluctúan.

Cómo cargar con energía solar

NOTA IMPORTANTE: cuando recargue su Goal Zero Yeti Lithium con energía solar, tenga en cuenta los voltajes de los paneles solares y no supere los 22 V. Los paneles solares individuales o los conectados en serie que superen los 22 V no pueden usarse con el Goal Zero Yeti Lithium, y podría causar daños graves a la unidad. Si necesita ayuda sobre cómo conectar en serie los paneles solares, llame a nuestro Centro de Soluciones al Cliente al 888-794-6250.

Su Goal Zero Yeti tiene dos puertos de carga de 8 mm Uno está ubicado en el lado izquierdo de la placa frontal. El otro está ubicado en la parte posterior, en la esquina inferior derecha. Ambos puertos de 8 mm están diseñados para funcionar con paneles solares Goal Zero y son capaces de absorber 120 W de energía solar.

NOTA: Sólo puede utilizar una entrada de 8 mm a la vez para cargar su Yeti. Si conecta ambos puertos de entrada de 8 mm al mismo tiempo, el Yeti siempre estará por defecto en el puerto frontal de 8 mm.

1. Coloque su panel solar en un lugar donde pueda obtener toda la luz solar directa posible.
2. Inserte el conector del panel solar de anillo azul en uno de los puertos en el Yeti. Sabrá que el Yeti se está cargando cuando la luz LED azul que está junto al puerto se ilumine y los segmentos de la batería en la batería LCD parpadeen. El Yeti se carga completamente cuando todos los segmentos de la batería dejan de parpadear y permanecen estables.
3. Algunos paneles de Goal Zero se pueden encadenar para proporcionar más energía a su Yeti y reducir los tiempos de carga solar. El puerto de entrada es capaz de recibir 120 W de energía solar.

Cómo cargar con una toma de corriente

Con el cargador de pared de CA incluido, conecte su Goal Zero Yeti a cualquier toma de corriente. Sabrá que el Goal Zero Yeti se está cargando cuando la luz LED azul al lado del puerto de entrada se encienda y los segmentos de la batería en la pantalla de la batería parpadeen. El Goal Zero Yeti se carga completamente cuando todos los segmentos de la batería dejan de parpadear y permanecen estables. El Goal Zero Yeti debe recargarse desde la pared en unas 9 horas.

1. El adaptador de pared de CA viene en dos piezas. Conecte las dos piezas enchufando el cable en la caja.

Cómo cargar desde USB-C:

Cargue su Yeti usando el puerto de entrada/salida USB-C PD de 60 W conectándolo a cualquier cargador USB-C (vendido por separado).

NOTA: Puede conectarse tanto al puerto de entrada de 8 mm como al puerto de entrada/salida USB-C al mismo tiempo para recibir hasta 180 vatios combinados.

NOTA: Para opciones de carga adicionales, como la carga del coche y la carga rápida, visite www.goalzero.com/shop/yeti-accessories.

Cómo usar su Goal Zero Yeti

Cómo usar su Goal Zero Yeti:

1. Presione el botón de encendido situado por encima de cada puerto que va a utilizar. **Cuando no esté usando ciertos puertos, cerciórese de apagarlos para conservar energía.
2. Usted sabrá que el puerto está encendido cuando la luz verde del LED en el botón esté iluminada.
3. Enchufe su equipo para cargarlo a donde quiera que vaya.
4. Si es posible, mantenga su Goal Zero Yeti conectado a una fuente de alimentación cuando no esté en uso.
5. Puede cargar tu Goal Zero Yeti y usar su equipo al mismo tiempo.

Mejor estrategia de uso:

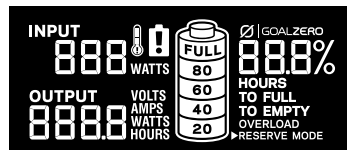
Al cargar el equipo con su Goal Zero Yeti, tome nota de la pantalla LCD de la batería. Si conecta dispositivos que tienen un alto consumo de energía, el nivel de carga de su Goal Zero Yeti puede descender muy rápidamente y puede que no logre exactamente 500 Wh de energía. Además, especialmente cuando se utiliza la salida de alimentación de CA, el Goal Zero Yeti convierte la energía de corriente continua de la batería a corriente alterna que necesita el dispositivo. Aunque su Goal Zero Yeti tiene un inversor altamente eficiente, todavía se puede perder energía en la conversión y no obtendrá la capacidad nominal total de la batería. Si observa menores tiempos de funcionamiento, puede comprobar los requisitos de alimentación del dispositivo consultado **RESOLUCIÓN DE PROBLEMAS** (pág. 13) para obtener ayuda.

Uso en clima frío:

Las bajas temperaturas (por debajo del punto de congelación) pueden afectar a la capacidad de la batería del Goal Zero Yeti. Si vive en condiciones sub-cero, le recomendamos que mantenga su Goal Zero Yeti en un refrigerador aislado, conectado a una fuente de energía (paneles solares), y la carga de su equipo. El calor natural generado por el Goal Zero Yeti contenido en un refrigerador aislado mantendrá la capacidad de la batería en su punto más alto.

Pantalla LCD y botones

Puede activar la retroalimentación de la pantalla pulsando el botón LIGHT. La pantalla LCD integrada indica cuatro elementos importantes:



1. El INPUT muestra la cantidad de potencia (vatios) que ingresa en el Goal Zero Yeti al ser cargado. Si se carga con energía solar, verá el cambio de vatios a medida que reposiciona los paneles dentro/fuera de la luz solar.
2. El OUTPUT muestra la cantidad de potencia (vatios) que utilizan sus dispositivos mientras están conectados al Goal Zero Yeti.
3. TIME TO EMPTY/FULL muestra la cantidad de tiempo antes de que su Goal Zero Yeti esté totalmente cargada o vacía, dependiendo de si la cantidad neta de energía que ingresa en el Goal Zero Yeti es positiva o negativa.
4. BATTERY LEVEL muestra 5 segmentos, aproximadamente 20% - 40% - 60% - 80% -100% de capacidad. Cuando utilice su Goal Zero Yeti, los segmentos desaparecerán de la pantalla, indicando la carga restante. Cuando cargue su Goal Zero Yeti notará que el segmento de la batería parpadeará. Esto indica el estado de carga actual. Una vez que su Goal Zero Yeti esté completamente cargado, todos los segmentos de la batería se encenderán y permanecerán estables. Siempre que el Goal Zero Yeti esté recibiendo mas carga de la que esté sacando de los puertos de salida, la pantalla también indicará un tiempo estimado hasta que esté totalmente cargada. Este es un tiempo estimado basado en los números de entrada y salida de energía en ese momento; se ajustará a un tiempo más corto o más largo si las tasas de carga o descarga fluctúan. Tenga en cuenta que cuando lo conecte a una fuente de alimentación, ya sea un panel solar o un cargador de pared, el Yeti puede tardar un minuto en detectar y ajustar su circuito de carga antes de que empiece a sacar energía de la fuente.


Al pulsar los botones UNITS, se desplazará por las distintas configuraciones de salida y consumo de energía. Al pulsar y mantener pulsado el botón UNITS, se reiniciará el contador de salida WATT HOUR. Al pulsar el botón INFO se alternarán las pantallas de estado de la batería y porcentaje de carga, así como el tiempo hasta una carga/descarga completa.

Almacenamiento y mantenimiento durante las paradas

Conectar su Goal Zero Yeti a una fuente de alimentación, como un panel solar o un enchufe de pared, entre aventuras o mientras que está almacenado, mantiene su batería en buen estado y completa. Esto prolonga la vida de la batería y garantizará que su Goal Zero Yeti esté cargado y listo para usarlo todo el día, día tras día.

Si no puede mantener su Goal Zero Yeti conectado a una fuente de alimentación durante el almacenamiento, cargue completamente su Goal Zero Yeti cada 3 meses y guárdelo en un lugar fresco y seco. Si no almacena su Goal Zero Yeti siguiendo estos pasos puede ocasionar daños en la batería que anularán la garantía del producto.

Especificaciones técnicas

Batería:	
Química de la celda	Li-ion NMC
Capacidad de paquete	Hasta 505 Wh (10,8V, hasta 46,8 Ah)
Capacidad equivalente a una celda individual	Hasta 140,4 Ah @ 3,6 V
Ciclos de vida	500 ciclos al 80 % de capacidad (Tasa de descarga: 0,2 C, Carga/descarga completa, Temp: 25C)
Vida útil	Carga cada 3 a 6 meses
Sistema de administración	Controlador de carga 'MPPT', protección de batería baja
Puertos:	
Puerto USB-C PD (entrada/salida)	5-20 V, hasta 3,0 A (60 W máx.)
Puerto USB-C (salida)	5/9 V, hasta 3,0 A (18 W máx.)
Puerto USB-A (salida)	5V, hasta 2m4A (12W máximo)
puerto 6 mm (salida, 6mm)	12V, hasta 10A (120W máx.)
puerto de coche 12 V (salida)	12 V, hasta 10 A (120 W max), regulado
Inversor 120V de CA (salida, onda senoidal pura)	120 VAC 60 Hz, 2,5 A (300 W, 1200 W sobretensión)
Inversor de 230V CA (salida, onda senoidal pura)	230 VAC 50 Hz, 1,3 A (300 W, 1200 W sobretensión)
ENCHUFES DE CA UNIVERSALES O PARA AUSTRALIA (TIPO 1)	
Puerto de carga (entrada, 8 mm, azul, círculo)	13-22 V, hasta 10 A (120 W max)
Datos generales:	
Conectable en serie	No
Peso	12,9 lbs (5,85 kg)
Dimensiones	7,5 x 11,25 x 5,8 pulg (19,05 x 28,58 x 14,73 cm)
Temperatura en funcionamiento	32-104 F (0-40 C)
Certificados	
Garantía	12 meses

¿Qué tipo de batería utiliza mi Goal Zero Yeti?

Su Goal Zero Yeti usa una batería de ion de litio personalizada. Estos son algunos datos básicos sobre las baterías de ion de litio:

1. Las baterías de iones de litio pueden almacenar y liberar mucha energía en un corto período de tiempo. Las baterías de su Goal Zero Yeti están en un compartimiento de protección con un sofisticado sistema de gestión y protección de baterías que controla sus terminales en relación con el exterior.
2. Es fundamental que la batería no se moje, ya que la humedad y el agua pueden entrar en las celdas de la batería detrás de los circuitos de protección y atravesar la protección.

¿Puedo llevar el Yeti 500X en un avión?

No, la batería de litio es superior a 100 Wh y no está permitida en los aviones bajo las regulaciones de la FAA.

¿Cómo sé si mi Goal Zero Yeti está cargado?

Para comprobar el nivel de carga de su Goal Zero Yeti, compruebe la pantalla de la batería LCD. Cuando está iluminada, verá un contorno de batería con 5 segmentos, que indica el nivel de carga actual. Puede usar su Goal Zero Yeti incluso cuando no esté completamente cargado.

¿Por qué está parpadeando la luz del botón de CA?

Una luz parpadeante en el botón de CA indica que al nivel de carga actual, el inversor de CA se apagará pronto. Recargue su Goal Zero Yeti lo antes posible para continuar cargando su dispositivo. Una vez que el inversor de CA se ha apagado, el Yeti intentará reiniciarse tres veces. Después de tres intentos, el inversor de CA seguirá apagado hasta que lo reinicie físicamente pulsando el botón de CA o recargando un poco la batería.

¿Por qué la luz del botón de activación de puerto es roja?

Una luz roja en los botones de activación de 12 V, USB y CA indica que el puerto se ha apagado para proteger lo que haya conectado. Recargue su Goal Zero Yeti lo antes posible para continuar cargando su dispositivo.

¿Cómo sé si mi dispositivo funcionará con el Goal Zero Yeti?

Primero, necesitará determinar la cantidad de energía que su dispositivo requiere. Esto puede requerir que usted investigue por su cuenta, busque en el Internet o examine la guía de usuario para su dispositivo.

En segundo lugar, deberá verificar la capacidad de los puertos de salida individuales. Por ejemplo, el puerto de CA de Goal Zero Yeti está alimentado por un inversor que permite 300 W de potencia. Esto significa que si su dispositivo recibe más de 1500 W durante un período de tiempo prolongado, el inversor del Goal Zero Yeti se apagará. Otro punto a tener en cuenta es el nivel de sobretensiones de su dispositivo en comparación con el del puerto. El inversor de Goal Zero Yeti tiene un avanzado sistema de gestión de sobretensiones que maximizará su compatibilidad con varios dispositivos, pero todavía habrá elementos que aumentarán a un ritmo más alto, y durante un tiempo más largo, que el Goal Zero Yeti puede gestionar, y en tal caso el puerto se apagará por sí mismo.

Por último, una vez que sepa que su dispositivo es compatible, deberá determinar durante cuánto tiempo podrá encender su equipo del Goal Zero Yeti. Esta es una breve lección sobre energía.

Todos los adaptadores y generadores solares de Goal Zero tienen un número en su nombre, p. ej. Cargador Sherpa 100 CA, Goal Zero Yeti 500X. Estos números se refieren a las vatios-hora (Wh), o la cantidad de energía que se puede almacenar en cada cargador, y cómo sabrá si su equipo es compatible con cada cargador. Por ejemplo, un cargador de 200 Wh debe funcionar con una luz de 100 W durante 2 horas ($200/100 = 2$). Si su equipo tiene una capacidad en torno a los 3000 Wh del Goal Zero Yeti, deberá comprobar las limitaciones de cada puerto de salida.

Otro factor a tener en cuenta es cuánta energía se está convirtiendo desde la batería del Goal Zero Yeti al dispositivo que está alimentando/cargando. En algunas situaciones, como cuando se usa un dispositivo de 12 V, no habrá conversión y por lo tanto no habrá pérdidas adicionales. Un ejemplo de ello es el LAL 350 que funciona en el puerto de 12V. Al usar los puertos USB para cargar un teléfono, se agrega una capa de conversión (la batería de 12 V en el Goal Zero Yeti se convierte en una salida USB de 5 V), lo que representa alrededor del 10 % de las pérdidas. Cuando se utiliza el inversor, hay dos capas de conversión (12 V a alto voltaje, CC a CA). La manera menos eficiente de usar la batería en el Goal Zero Yeti es usar un adaptador CA-CC conectado a los puertos de CA, como cuando usa un cargador de teléfono de pared para cargar su teléfono, ya que agrega otra capa de conversión en el adaptador de pared.

Por tanto, cuando decide qué dispositivo alimentar con su nueva estación de energía Goal Zero, investigue sobre el consumo de potencia de su dispositivo. Para más consejos y herramientas de aprendizaje, puede consultar la web www.GoalZero.com/learn.html

Resolución de problemas

Si sus dispositivos no se carga desde su Goal Zero Yeti, siga estos pasos:

1. Asegúrese de que el puerto de salida esté encendido. La luz LED blanca del botón de encendido debe estar encendida.

a. Si alguna de las luces se pone roja, esto indica un error. Vuelva a pulsar el botón para restablecerlo. La luz se pone en blanco cuando se restablece con éxito.

2. Compruebe la pantalla de la batería. Si está al 20 % o menos, cargue su Goal Zero Yeti.

3. Compruebe los iconos de advertencia en la pantalla LCD:

SOBRECARGA: el consumo de energía supera la capacidad máxima del puerto. Se indica mediante la luz roja en el botón del puerto.

MODO AHORRO BATERÍA: Se activa cuando el voltaje de la batería cae demasiado bajo para que funcione eficazmente el puerto del coche de 12 V ($> 10.5V$). Todos los demás puertos permanecen activos (diseñados para proteger dispositivos estándar de 12V).



Advertencia de temperatura. Deje que la unidad se enfríe.



Las baterías requieren atención. Comuníquese con el servicio de atención al cliente 1-888-794-6250

4. Compruebe que su dispositivo sea adecuado para usarlo con el Goal Zero Yeti:

a. Todos los puertos de salida de Goal Zero Yeti tienen su propia capacidad de potencia máxima. Consulte las especificaciones técnicas de Goal Zero Yeti para asegurarse de que su dispositivo es compatible.

5. Si continúa teniendo problemas con el Goal Zero Yeti, llame a nuestro Centro de Soluciones al Cliente al 1-888-794-6250 o por correo electrónico a support@goalzero.com

BATERÍAS 101: Goal Zero utiliza la más avanzada tecnología de baterías para acompañarle en todas las aventuras de la vida. Desde el versátil y ligero ion de litio hasta el potente y sólido ácido de plomo, hemos recopilado algunos consejos útiles para que las baterías de Goal Zero funcionen mejor.

i. Las baterías necesitan ejercicio.

Lo mejor para cualquier batería es usarla. No deje la batería sin usarla y sin cargarla durante largos periodos de tiempo. Si va a almacenar el Goal Zero Yeti sin un cargador, asegúrese de que esté completamente cargado antes de guardarlo.

ii. El mito de la "memoria de la batería".

Gracias a las viejas baterías de níquel-cadmio (NiCd), hay un mito que dice que debe agotar por completo sus baterías antes de enchufarlas para una recarga llamada "ciclo profundo". Aunque esto es cierto para las baterías de NiCd, las baterías típicas que encontrará en la mayoría de sus equipos hoy en día, incluyendo las avanzadas baterías de litio y plomo usadas en tu estación de alimentación GOAL ZERO, no requieren dicha descarga. De hecho, debe evitar los ciclos profundos de las baterías, ya que son más perjudiciales que beneficiosos, en la mayoría de casos.

iii. El "Efecto Estadio".

El efecto estadio se produce al recargar las baterías. Observará que su batería se recarga rápidamente al principio, luego se ralentiza notablemente al intentar cargar los últimos porcentajes. Piense en la rapidez con que un estadio se llena cuando las puertas se abren por primera vez: hay cientos de asientos abiertos por lo que es fácil encontrar el que desea. Finalmente, sólo hay unos pocos asientos abiertos y la gente tiene que maniobrar para encontrar el lugar que quieren, y llenar esos asientos toma más tiempo. La misma teoría se aplica a las baterías de recarga. Es fácil que la energía fluya y ocupe espacio vacío al principio, y con el tiempo, hay menos espacio disponible y tarda más tiempo para que la energía llene los espacios.

iv. Lea el manual.

Puede ser una lectura larga, pero el manual es el mejor lugar para encontrar lo que debe y no debe hacer con la batería de su dispositivo específico. Lea su manual para asegurarse que está tomando medidas para mantener sus baterías en buenas condiciones.

SOLAR 101: GOAL ZERO facilita la recarga de su dispositivo con la energía solar. No inventamos la energía solar, la perfeccionamos. Algunas cosas a tener en cuenta al recargar su equipo con energía solar:

i. Los paneles solares no almacenan la energía solar; sola la recolectan.

Le enseñamos a RECOLECTAR, ALMACENAR y USAR, que es la mejor manera de utilizar la energía solar para recargar su equipo. RECOLECTE la energía solar con un panel solar. ALMACENE la energía en una estación de alimentación. USE la estación de alimentación para alimentar sus equipos, de día o de noche. Si es una persona conservadora, puede conectar su equipo directamente a la caja de conexiones en la parte posterior de sus paneles solares NOMAD para recargarlos con el sol.

ii. No todos los tiempos de carga con energía solar se establecen de la misma forma.

La mayoría de fabricantes de paneles solares calculan sus tiempos de recarga usando la siguiente ecuación: $\text{Vatios-hora del Dispositivo} / \text{Vatios del Panel Solar} = \text{Tiempos de Recarga Solar}$. Por lo tanto, teóricamente, un panel solar de 13 vatios recargaría un cargador de 50 vatios-hora en 3.84 horas ($50/13 = 3.84$), y éste es el número que usted podría encontrar en el material comercial de un panel solar. Sin embargo, con el fin de estandarizar los resultados de todos los fabricantes, estas pruebas se completan en entornos de laboratorio. La verdad es que, en un buen día soleado, recibirá alrededor del 50-75% de la potencia nominal en su panel solar, y así es como los ingenieros de GOAL ZERO calculan los tiempos de recarga solar que ve en nuestros envases.

iii. La energía solar funciona, incluso en días nublados.

Los paneles solares utilizan rayos IR, UV y visibles del sol que pueden penetrar a través de las nubes. Aunque la eficacia del panel solar disminuirá en condiciones nubladas, usted todavía podrá recolectar la energía valiosa del sol.

iv. La alineación adecuada funciona mejor.

Mantener su panel solar orientado hacia el sol puede aumentar drásticamente la eficiencia solar. Instálelo y deje que la madre naturaleza haga el resto.

Garantía y contacto

GARANTÍA LIMITADA

GOAL ZERO LLC garantiza al comprador original que este producto de GOAL ZERO estará libre de defectos de mano de obra y material bajo el uso normal del comprador durante el período de garantía aplicable identificado en el Párrafo 2, sujeto a las exclusiones establecidas en el Párrafo 5. Esta declaración de garantía establece la obligación de garantía total y exclusiva de GOAL ZERO. No asumiremos, ni autorizaremos a ninguna persona a asumir por nosotros, ninguna otra responsabilidad en relación con las ventas de nuestros productos.

PERÍODO DE GARANTÍA

El período de garantía para las células de la batería de GOAL ZERO (si se adquiere de manera independiente o como parte de otro producto) es de 180 días. El período de garantía para todos los demás productos y componentes de GOAL ZERO es de un (1) año. En cada caso, el período de garantía se mide a partir de la fecha de compra del comprador original. Se requiere recibo de venta de la primera compra del consumidor, u otra prueba documental razonable, para establecer la fecha de inicio del período de garantía. Si completó el formulario de registro de producto en línea de GOAL ZERO en un plazo de 30 días después de la compra de su producto, dicho registro también puede establecer la fecha de inicio del período de garantía (pero la cobertura de la garantía no está condicionada a dicha inscripción).

REPARACIÓN

GOAL ZERO reparará o reemplazará (por cuenta y riesgo de GOAL ZERO) cualquier producto de GOAL ZERO que no funcione durante el período de garantía aplicable debido a un defecto de mano de obra o material.

LIMITADA AL COMPRADOR ORIGINAL

La garantía de los productos de GOAL ZERO está limitada al comprador original y no es transferible a ningún propietario posterior.

EXCLUSIONES

La garantía de GOAL ZERO no se aplica a (i) ningún producto que haya sido mal utilizado, modificado, dañado por accidente o utilizado para cualquier otra cosa que no sea el uso normal del consumidor, tal como se autoriza en los folletos de productos de GOAL ZERO, comprado a través de una casa de subastas en línea. La garantía de GOAL ZERO no se aplica a ninguna celda de batería o producto que contenga una celda de batería, a menos que la batería esté totalmente cargada por usted dentro de los siete (7) días posteriores a la compra del producto y al menos una vez cada 6 meses.

CÓMO RECIBIR SERVICIO TÉCNICO

Para obtener el servicio de garantía, debe comunicarse con nuestro equipo de servicio al cliente por teléfono al (888) 794-6250, o por correo electrónico a support@goalzero.com. Si nuestro equipo de servicio al cliente determina que se requiere asistencia adicional, le proporcionará un número de autorización de devolución de material ("RMA") y le proporcionará una etiqueta de envío de devolución por adelantado que puede usar para enviar por correo los artículos que no funcionan. Debe empaquetar correctamente el producto, marcando claramente el número RMA en el paquete e incluyendo el comprobante de su fecha de compra del producto. Procesaremos su devolución y le enviaremos su producto reparado o reemplazo sin coste alguno para usted para cualquier producto que se envíe a destinos de Norteamérica. Para productos adquiridos o enviados fuera de Norteamérica, póngase en contacto con el distribuidor local de quien adquirió el producto o envíe un correo electrónico a support@goalzero.com para obtener más información sobre el distribuidor.

GARANTÍAS IMPLÍCITAS

LA GARANTÍA LIMITADA DECLARADA EN ESTE DOCUMENTO SUSTITUYE A TODAS LAS OTRAS GARANTÍAS EXPRESAS. EN NINGÚN CASO, LAS GARANTÍAS IMPLÍCITAS, INCLUYENDO PERO NO LIMITADO A, CUALQUIER GARANTÍA DE COMERCIABILIDAD, ADECUACIÓN PARA UN PROPÓSITO PARTICULAR O NO INFRACCIÓN, SE EXTENDERÁN MÁS ALLÁ DEL PERÍODO DE GARANTÍA APLICABLE IDENTIFICADO EN EL PÁRRAFO 2, ANTERIORMENTE. Algunos estados no permiten limitaciones sobre cuánto dura una garantía implícita, por lo que la limitación anterior puede no serle de aplicación. Esta garantía le otorga derechos legales específicos y también puede tener otros derechos que varían de un estado a otro.

RECURSO EXCLUSIVO; LIMITACIÓN DE RESPONSABILIDAD

Las disposiciones anteriores estipulan la responsabilidad total de GOAL ZERO y su recurso exclusivo, por cualquier incumplimiento de la garantía, expresa o implícita. EN NINGÚN CASO, GOAL ZERO SERÁ RESPONSABLE POR CUALQUIER DAÑO CONSECUENTE O INCIDENTAL QUE SURJA DE CUALQUIER USO O FALLO DE CUALQUIER PRODUCTO DE GOAL ZERO, O DE CUALQUIER INCUMPLIMIENTO DE LA GARANTÍA, INCLUYENDO DAÑO A OTROS DISPOSITIVOS. EN NINGÚN CASO LA RESPONSABILIDAD DE GOAL ZERO POR CUALQUIER RECLAMACIÓN, YA SEA EN CONTRATO, GARANTÍA, AGRAVIO (INCLUYENDO NEGLIGENCIA Y RESPONSABILIDAD Estricta) O BAJO CUALQUIER OTRA TEORÍA DE RESPONSABILIDAD, EXCEDERÁ LA CANTIDAD PAGADA POR USTED POR EL PRODUCTO DE ZERO. Algunos estados no permiten la exclusión o limitación de daños incidentales o consecuentes, por lo que la limitación o exclusión anterior puede no aplicarse a usted.



GARANTÍA AMPLIADA GRATUITA

Obtenga un AÑO ADICIONAL de protección para su Goal Zero Yeti Lithium Estación de alimentación portátil, tan solo con registrar su producto en:

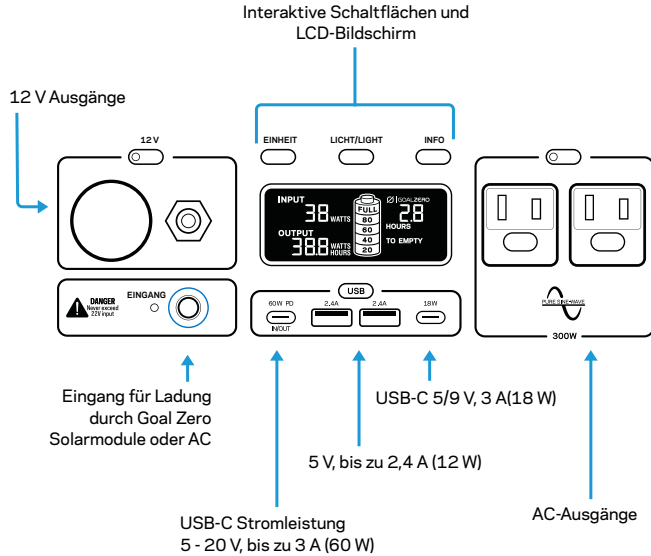
GOALZERO.com/extendedwarranty

Esto le proporciona DOS AÑOS COMPLETOS de cobertura para el producto sin preocupaciones.

Es gratuito y le ofrece tranquilidad, para usted y para su nueva estación de alimentación.

Lernen Sie Ihr Gerät kennen

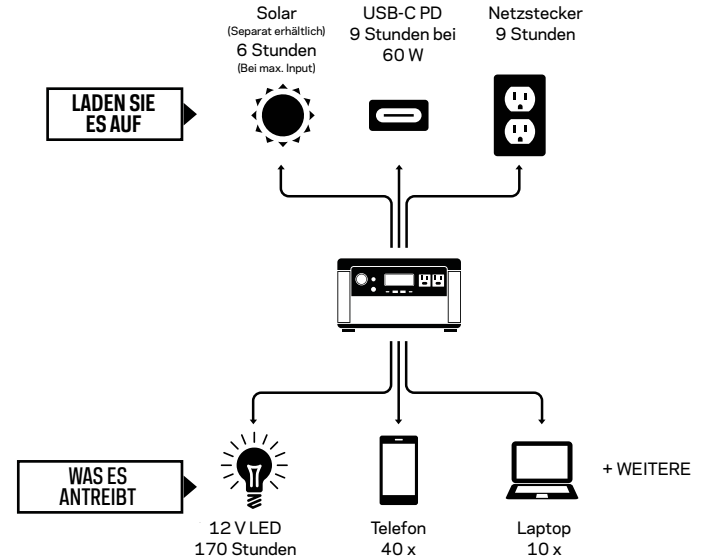
Vorderseite des Yeti 500X



Rückseite des Yeti 500X



So funktioniert's



Aufladung Ihres Goal Zero Yeti

AUFLADEN: Lassen Sie Ihren Goal Zero eingesteckt, wenn er nicht verwendet wird.
Weitere Tipps und Tricks für die Pflege der Batterie, siehe Kapitel BATTERIEN 101 (S. 14).

Beim Aufladen Ihres Goal Zero Yeti werden Sie auf der Anzeige ein Batteriesegment blinken sehen. Dies zeigt den aktuellen Ladestand an. Wenn Ihr Goal Zero Yeti voll aufgeladen ist, leuchten alle Batteriesegmente auf und bleiben erleuchtet. Solange in den Goal Zero Yeti mehr Ladung fließt als über die Ausgabe-Anschlüsse entnommen wird, zeigt das Display eine geschätzte Aufladezeit an. Dies ist eine geschätzte Zeit, basierend auf der Stromaufnahme und der Output-Anzahl zu diesem Zeitpunkt; sie verkürzt oder verlängert sich, wenn sich die durchschnittliche Auf- oder Entladegeschwindigkeit ändert.

Mit Sonnenlicht aufladen

WICHTIGER HINWEIS: Wenn Sie den Goal Zero Yeti Lithium mit Sonnenlicht aufladen, beachten Sie die Spannung des Solarmoduls und vermeiden Sie eine Überschreitung von 22 V. Einzelne oder seriell verkettete Solarmodule über 22 V dürfen für den Goal Zero Yeti Lithium nicht verwendet werden, da sie dem Gerät ernsthaft schaden können. Hilfe bei der Verkettung von Solarmodulen finden Sie bei unserem Kunden-Center unter 001-888-794-6250.

Ihr Goal Zero Yeti verfügt über zwei 8-mm-Ladebuchsen. Eine befindet sich auf der linken Seite der Frontplatte. Die andere befindet sich auf der Rückseite unten rechts. Beide 8-mm-Anschlüsse sind für den Betrieb mit Goal Zero Solarmodulen ausgelegt und können 120 W Solarstrom vertragen.

HINWEIS: Sie können zu jeder Zeit immer nur einen 8-mm-Stecker verwenden, um Ihren Yeti aufzuladen. Wenn Sie beide 8-mm-Eingänge gleichzeitig anschließen, wird der Yeti automatisch auf den vorderen 8-mm-Anschluss eingestellt.

1. Platzieren Sie Ihr Solarmodul dort, wo es so viel Sonnenlicht wie möglich aufnimmt.

2. Stecken Sie den blau beringten Stecker des Moduls in einen der Eingangsanschlüsse des Yeti. Dass der Yeti auflädt, erkennen Sie daran, dass das blaue LED-Licht neben dem Eingangsanschluss aufleuchtet und die Batteriesegmente auf dem LCD-Batterie-Display blinken. Der Yeti ist voll geladen, wenn alle Batteriesegmente aufhören zu blinken und konstant leuchten.

3. Sie können mehrere Goal Zero-Panels miteinander verbinden, um dem Yeti mehr Strom zuzuführen und die Solar-Aufladezeit zu reduzieren. Der Eingangsanschluss kann bis zu 120 W Solarenergie aufnehmen.

Aufladung an der Steckdose

Schließen Sie den Goal Zero Yeti mithilfe des mitgelieferten AC-Ladegeräts an jede beliebige Steckdose an. Dass der Goal Zero Yeti auflädt, erkennen Sie daran, dass das blaue LED-Licht neben dem Eingangsanschluss angeht und die Batteriesegmente im Batterie-Display blinken. Der Goal Zero Yeti ist voll geladen, wenn alle Batterie-Segmente aufhören zu blinken und konstant leuchten. Der Goal Zero Yeti sollte an einer normalen Steckdose in rund 9 Stunden aufgeladen sein.

1. Der AC-Wandadapter wird in zwei Teilen geliefert. Verbinden Sie die beiden Teile, indem Sie das Kabel in die Box stecken.

Aufladung über USB-C:

Laden Sie Ihren Yeti über den 60 W USB-C PD Ein-/Ausgangsanschluss auf, indem Sie ihn an ein beliebiges USB-C-Ladegerät anschließen (separat erhältlich).

HINWEIS: Sie können sowohl an den 8-mm-Eingangsanschluss als auch an den USB-C-Ein-/Ausgangsanschluss gleichzeitig anschließen, um insgesamt bis zu 180 Watt zu erhalten.

HINWEIS: Informationen zu weiteren Lademöglichkeiten wie die Autoladefunktion und die Schnellladung finden Sie unter www.goalzero.com/shop/yeti-accessories

Verwendung Ihres Goal Zero Yeti

Verwendung Ihres Goal Zero Yeti:

1. Drücken Sie die Power-Taste über jedem Anschluss, den Sie verwenden. **Wenn Sie bestimmte Anschlüsse nicht verwenden, stellen Sie sicher, dass sie abgeschaltet sind, um Strom zu sparen.
2. Sie sehen, dass der Anschluss eingeschaltet ist, wenn das weiße LED-Licht auf der Taste erleuchtet ist.
3. Laden Sie Ihr Gerät auf, wo auch immer Sie gerade sind.
4. Wenn möglich, bewahren Sie den Goal Zero Yeti an einer Stromquelle hängend auf, wenn Sie ihn nicht verwenden.
5. Sie können den Goal Zero Yeti aufladen und gleichzeitig Ihr Gerät betreiben.

Strategie für optimale Nutzung:

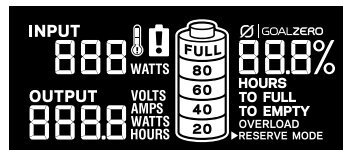
Achten Sie bei der Aufladung Ihres Geräts mit dem Goal Zero Yeti auf das LCD-Batteriedisplay. Wenn Sie Geräte einstecken, die viel Strom benötigen, kann das Ladeniveau des Goal Zero Yeti sehr schnell sinken und Sie erreichen evtl. nicht exakt einen Pegel von 500 Wh Energie. Wenn Sie den AC-Stromausgang verwenden, wird der Goal Zero Yeti außerdem die Energie aus dem DC-Strom der Batterie in den AC-Strom umwandeln, den Ihr Gerät benötigt. Obwohl der Goal Zero Yeti einen höchst effizienten Wechselrichter besitzt, geht bei der Umwandlung dennoch etwas Energie verloren und Sie erreichen so nicht die volle Batteriekapazität. Wenn Sie kürzere Laufzeiten feststellen und die Leistungsanforderungen des Geräts überprüfen möchten, finden Sie Hilfe unter FEHLERBEHEBUNG (S. 13).

Verwendung bei kalter Witterung:

Niedrige Temperaturen (unter dem Gefrierpunkt) können die Batteriekapazität des Goal Zero Yeti beeinträchtigen. Wenn Sie sich im Freien, ohne Anbindung an das Stromnetz und unterhalb des Gefrierpunkts aufhalten, empfehlen wir die Aufbewahrung des Goal Zero Yeti in einer isolierten Kühlbox, an eine Stromquelle (Solarmodule) angeschlossen, um Ihr Gerät aufzuladen. Die Eigenwärme, die der Goal Zero Yeti erzeugt und die dann in einer isolierten Kühlbox eingeschlossen ist, hält die Batteriekapazität auf dem höchsten Stand.

LCD-Display + Tasten

Sie können die Display-Hintergrundbeleuchtung durch Drücken der LICHT-Taste aktivieren. Das eingebaute LCD-Display zeigt vier wichtige Dinge an:




1. **EINGANG** zeigt die Leistung (Watt-Werte) an, die während des Ladens in den Goal Zero Yeti fließt. Wenn Sie aus einer Solarquelle aufladen, sehen Sie, wie sich die Wattzahlen ändern, wenn Sie die Module im oder außerhalb des Sonnenlichts neu platzieren.
 2. **OUTPUT** zeigt die Leistung (Wattzahl) Ihrer verwendeten Geräte an, während sie im Goal Zero Yeti eingesteckt sind.
 3. **ZEIT BIS ZUR ENTLERUNG/VOLLEN LADUNG** zeigt die Zeit an, bis der Goal Zero Yeti komplett auf- oder entladen ist, je nachdem, ob die Nettoleistung, die in den Goal Zero Yeti fließt, positiv oder negativ ist.
 4. **BATTERIESTAND** zeigt 5 Segmente an, die ungefähr einer Kapazität von 20 % - 40 % - 60 % - 80 % - 100 % entsprechen. Bei der Verwendung des Goal Zero Yeti verschwinden Segmente vom Display und die verbleibende Ladekapazität wird angezeigt. Beim Aufladen Ihres Goal Zero Yeti werden Sie ein Batteriesegment blinken sehen. Dies zeigt den aktuellen Ladestand an. Wenn Ihr Goal Zero Yeti voll aufgeladen ist, leuchten alle Batteriesegmente auf und bleiben erleuchtet. Solange in den Goal Zero Yeti mehr Ladung fließt als über die Ausgabe-Anschlüsse entnommen wird, zeigt das Display eine geschätzte Aufladezeit an. Dies ist eine geschätzte Zeit, basierend auf der Leistungsaufnahme und der Ausgangszahl zu dem Zeitpunkt; sie verkürzt oder verlängert sich, wenn sich die Auf- oder Entladegeschwindigkeit ändert. Achtung, wenn Sie erstmalig eine Stromquelle anschließen, ob Solarmodul oder eine Steckdose an der Wand, kann es eine Minute dauern, bis der Yeti deren Ladeschaltung feststellt und anpasst, bevor er anfängt, Strom aus der Quelle zu ziehen.
- Wenn Sie die Taste GERÄTE/UNITS drücken, können Sie durch verschiedene Ausgabe- und Stromverbrauchseinstellungen scrollen. Wenn Sie die Taste UNITS gedrückt halten, setzen Sie den Zähler der WATTSTUNDEN-AUSGABE zurück. Wenn Sie die Taste INFO drücken, wechselt der Bildschirm zwischen der Anzeige des genauen Batterieladestands in Prozent und der Zeit bis zur Entladung / vollen Ladung.

LAGERUNG UND WARTUNG WÄHREND NICHTVERWENDUNG

Wenn der Goal Zero Yeti zu Hause, während der Lagerung oder zwischen Ihren Ausflügen, an eine Stromquelle wie Solarmodule oder eine Steckdose an der Wand angeschlossen wird, bleibt die Batterie in gutem Zustand und leistungsfähig. Dies verlängert die Batteriebensdauer und garantiert, dass Ihr Goal Zero Yeti immer und an jedem Tag aufgeladen und bereit ist.

Wenn Sie Ihren Goal Zero Yeti während der Lagerung nicht an eine Stromquelle hängen können, laden Sie ihn alle 3 Monate auf und bewahren Sie ihn an einem kühlen, trockenen Ort auf. Wenn Sie den Goal Zero Yeti nicht gemäß der folgenden Schritte pflegen, kann dies die Batterie schädigen und die Produktgarantie erlöschen lassen.

Technische Daten

Akku:	
Zellchemie	Li-Ion NMC
Packkapazität	Bis zu 505 Wh (10,8 V, bis zu 46,8 Ah)
Entsprechende Einzelzellenkapazität	Bis zu 140,4 Ah bei 3,6 V
Lebenszyklen	500 Zyklen bei 80 % Kapazität (Entladeleistung: 0,2 C, Vollständige Aufladung/Entladung, Temperatur: 25 C)
Haltbarkeit	Alle 3 bis 6 Monate aufladen
Managementsystem	MPPT-Laderegler, Schutz bei schwacher Batterie
Anschlüsse:	
USB-C PD Anschluss (Eingang/Ausgang)	5 - 20 V, bis zu 3,0 A (max. 60 W)
USB-C Anschluss (Ausgang)	5 / 9 V, bis zu 3,0 A (max. 18 W)
USB-A Anschluss (Ausgang)	5 V, bis zu 2,4 A (12 W max.)
6 mm Anschluss (Ausgang, 6 mm)	12 V, bis zu 10 A (120 W max.)
12 V Auto-Anschluss (Ausgang)	12 V, bis zu 10 A (max. 120 W), reguliert
120 V AC-Wechselrichter (Ausgang, reine Sinuskurve)	120 VAC, 60 Hz, 2,5 A (300 W, 1200 W Überspannung)
230 V AC-Wechselrichter (Ausgang, reine Sinuskurve)	230 VAC, 50 Hz, 1,3 A (300 W, 1200 W Überspannung)
UNIVERSAL ODER AUSTRALIA (TYP 1) AC-STECKER	
Auflade-Anschluss (Eingang, 8 mm, blau, rund)	13-22 V, bis zu 10 A (max. 120 W)
Allgemein:	
verkettungsfähig	Nein
Gewicht	5,85 kg
Abmessungen	19,05 x 28,58 x 14,73 cm
Betriebstemperatur	0 bis 40°C
Zertifikate	  
Garantie	12 Monate

Häufig gestellte Fragen

Welcher Batterietyp befindet sich in meinem Goal Zero Yeti?

Ihr Goal Zero Yeti nutzt eigens konzipierte Lithium-Ionen-Batterien. Nachfolgend einige grundlegende Fakten über Lithium-Ionen-Batterien:

1. Lithium-Ionen-Batterien können viel Energie in kurzer Zeit speichern und freisetzen. Die Batterien in Ihrem Goal Zero Yeti befinden sich in einem geschützten Gehäuse mit einem ausgefeilten Batteriemanagement- und -schutzsystem, das die Kontakte nach außen schützt.
2. Es ist wichtig, dass die Batterie nicht nass wird, denn Feuchtigkeit und Wasser können in die Batteriezellen hinter die Schutzbeschaltung gelangen und diesen Schutz umgehen.

Kann ich den Yeti 500X in ein Flugzeug mitnehmen?

Nein, die Lithium-Batterie hat eine Kapazität von über 100 Wh und darf gemäß FAA-Vorschriften nicht in Flugzeugen mitgenommen werden.

Wie weiß ich, dass mein Goal Zero Yeti aufgeladen ist?

Den Ladestand Ihres Goal Zero Yeti sehen Sie auf dem LCD-Batteriedisplay. Wenn es erleuchtet ist, sehen Sie ein Batteriezeichen mit 5 Segmenten, was den aktuellen Ladestand anzeigt. Sie können Ihren Goal Zero Yeti verwenden, auch wenn er nicht voll aufgeladen ist.

Weshalb blinkt das Licht auf der AC-Taste?

Ein blinkendes Licht auf der AC-Taste zeigt an, dass sich der AC-Wechselrichter bei der derzeitigen Ladung bald abschalten wird. Laden Sie den Goal Zero Yeti so schnell wie möglich auf, um mit der Aufladung Ihres Geräts fortzufahren. Wenn sich der AC-Wechselrichter abgeschaltet hat, versucht der Yeti dreimal ein Reset. Nach drei Versuchen bleibt der AC-Wechselrichter abgeschaltet, bis Sie ihn physisch wieder zurücksetzen, indem Sie die AC-Taste drücken oder die Batterie wieder etwas aufladen.

Warum leuchtet das Licht der Taste zur Aktivierung des Anschlusses rot?

Ein rotes Licht an den 12 V-, USB- und AC-Aktivierungstasten zeigt an, dass der Anschluss abgeschaltet wurde, um das angeschlossene Gerät zu schützen. Laden Sie den Goal Zero Yeti so schnell wie möglich auf, um mit der Aufladung Ihrer Geräte fortzufahren.

Wie weiß ich, ob mein Gerät für den Goal Zero Yeti geeignet ist?

Zunächst müssen Sie die Energiemenge bestimmen, die Ihr Gerät benötigt. Dazu müssen Sie evtl. einige Nachforschungen anstellen; eine detaillierte Internet-Suche oder das Lesen der Bedienungsanleitung Ihres Geräts sollten aber genügen.

Zweitens müssen Sie die Kapazität der einzelnen Ausgangsanschlüsse überprüfen. Der AC-Anschluss des Goal Zero Yeti wird beispielsweise mit einem Wechselrichter betrieben, der eine Strommenge von 300 W verträgt. Wenn Ihr Gerät über einen längeren Zeitraum mehr als 300 W verbraucht, schaltet sich der Wechselrichter des Goal Zero Yeti ab. Eine weitere Zahl, auf die man achten sollte, ist der Wert der Überspannung Ihres Geräts im Vergleich zu der des Anschlusses. Der Goal Zero Yeti Wechselrichter verfügt über ein modernes Überspannungssystem, das die Kompatibilität mit verschiedenen Geräten maximiert, aber es wird immer Geräte geben, die länger höhere Überspannung haben als der Goal Zero Yeti. In diesen Fällen schaltet sich der Anschluss ab.

Wenn Sie schließlich wissen, dass Ihr Gerät kompatibel ist, möchten Sie sicher erfahren, wie lange Sie Ihr Gerät am Goal Zero Yeti aufladen können. Nachfolgend ein kurzer und knapper Kurs zum Thema Strom.

Alle Goal Zero Generatoren und Solargeneratoren haben eine Nummer im Namen, z.B. Sherpa 100AC Powerbank, Goal Zero Yeti 500X. Diese Zahlen beziehen sich auf die Wattstunden (Wh) oder die Energiemenge, die in jeder Batterie gespeichert werden kann, und so wissen Sie, mit welchen Ladestationen Ihr Gerät kompatibel ist. Eine 200-Wh-Ladestation sollte ein 100-W-Licht beispielsweise in 2 Stunden aufladen ($200/100=2$). Wenn Ihr Gerät zu der Kapazität von 500 Wh des Goal Zero Yeti passt, müssen Sie noch die Beschränkungen jedes Ausgangsanschlusses überprüfen.

Ein weiterer Faktor in der Gleichung ist die Frage, wie viel Strom umgewandelt wird, der von der Batterie des Goal Zero Yeti in das Gerät fließt, das Sie betreiben / aufladen. Manchmal, wenn ein 12-V-Gerät direkt am 12-V-Anschluss betrieben wird, findet keine Umwandlung und daher kein weiterer Verlust statt. Ein Beispiel hierfür ist der LAL 350, der über den 12-V-Anschluss betrieben wird. Bei der Verwendung eines USB-Anschlusses zur Aufladung eines Handys fügen Sie eine Konversionsschicht hinzu (die 12-V-Batterieleistung im Goal Zero Yeti wird in einen 5-V-USB-Ausgang umgewandelt), was rund 10 % Verlust bringt. Bei der Verwendung des Wechselrichters gibt es zwei Konversionsschichten (12 V zu Hochspannung, DC zu AC). Die ineffizienteste Art der Verwendung der Batterie im Goal Zero Yeti ist es, einen AC-DC-Adapters an AC-Anschlüsse anzustecken. Das passiert etwa, wenn Sie Ihr Handy mit einem normalen Ladegerät aufladen, denn im Ladegerät wird noch eine weitere Konversionsschicht hinzugefügt.

Für die Entscheidung, welches Gerät Sie mit Ihrer neuen Goal Zero Ladestation betreiben, sollten Sie herausfinden, wie hoch der Stromverbrauch Ihres Geräts ist. Weitere kurzgefasste Tipps und Informationen finden Sie auf www.GoalZero.com/learn.html

Fehlerbehebung

Wenn Ihre Geräte am Goal Zero Yeti nicht aufladen, führen Sie folgende Schritte aus:

1. Stellen Sie sicher, dass der Ausgangs-Anschluss angeschaltet ist. Das weiße LED-Licht an der Power-Taste sollte leuchten.
 - a. Wenn eines der Lichter rot leuchtet, zeigt dies einen Fehler an. Drücken Sie die Taste erneut, um dies zurückzusetzen. Das Licht wechselt auf weiß, wenn das Zurücksetzen erfolgreich war.
2. Prüfen Sie die Batterie-Anzeige. Wenn sie 20 % oder weniger anzeigt, laden Sie den Goal Zero Yeti auf.
3. Prüfen Sie die LCD-Anzeige auf Warnsymbole:

ÜBERLASTUNG: Die Leistungsaufnahme übersteigt den höchsten zulässigen Wert des Anschlusses. Angezeigt durch ein rotes Licht in der Taste des Anschlusses.

BATT SAFE MODE (Batteriesparmodus): Wird aktiviert, wenn die Batteriespannung zu weit abfällt, um den Auto-Anschluss effektiv zu betreiben (>10,5 V). Alle anderen Anschlüsse bleiben aktiv (soll 12 V-Standardgeräte schützen).



**Temperaturwarnung
Gerät abkühlen lassen.**



Auf Batterie achten.
Kunden-Support kontaktieren.
1-888-794-6250

4. Prüfen Sie, ob Ihr Gerät für die Verwendung mit dem Goal Zero Yeti geeignet ist:
 - a. Alle Anschlüsse des Goal Zero Yeti haben ihre eigene maximale Leistungskapazität. Prüfen Sie die technische Spezifikation des Goal Zero Yeti, um die Kompatibilität mit Ihrem Gerät festzustellen.
5. Wenn Sie dennoch Schwierigkeiten mit Ihrem Goal Zero Yeti haben, rufen Sie unser Kunden-Center unter 1-888-794-6250 an oder senden Sie uns eine E-Mail unter support@goalzero.com.

BATTERIEN 101: Goal Zero bietet Ihnen die modernste und beste Batterietechnologie als Begleitung für Ihre Abenteuer. Zu den Themen der vielseitigen und leichten Lithium-Ionen-Technologie bis zur robusten und leistungsstarken Bleisäure-Technologie haben wir einige hilfreiche Tipps zusammengestellt, damit Ihre Goal Zero Batterien optimal funktionieren.

i. Batterien brauchen Aktivität.

Optimal für eine Batterie ist es, wenn man sie verwendet. Lassen Sie die Batterie nicht längere Zeit ruhen, ohne sie aufzuladen. Wenn Sie den Goal Zero Yeti lagern, ohne ihn an ein Ladegerät zu hängen, achten Sie zuvor darauf, dass er voll aufgeladen ist.

ii. Der "Batteriespeicher"-Mythos.

Aufgrund der alten Nickel-Cadmium-Batterien (NiCd) kursiert ein Mythos namens "Tiefentladung", der besagt, dass man die Batterien komplett entladen sollte, bevor man sie wieder auflädt. Dies trifft zwar für NiCd-Batterien zu, aber die üblichen Batterien, die Sie in den meisten Geräten heute finden, erfordern keine derartige Entladung, und hierzu gehören auch die modernen Lithium- und Bleisäure-Batterien in Ihrer GOAL ZERO Ladestation. Tatsächlich sollte man die Tiefentladung der Batterien vermeiden – sie ist in den meisten Fällen eher schädlich als positiv.

iii. Der "Stadion-Effekt".

Der Stadion-Effekt tritt auf, wenn Sie Ihre Batterien aufladen. Sie stellen fest, dass die Batterie anfangs schnell auflädt und dann aber deutlich langsamer, wenn Sie die letzten Prozent aufladen möchten. Stellen Sie sich vor, wie sich ein Stadion füllt, wenn sich die Tore anfangs öffnen – es gibt Hunderte freie Sitzplätze, so dass Sie problemlos den gewünschten finden. Am Ende gibt es nur noch einige freie Plätze hier und da und die Menschen müssen umherlaufen, um den gewünschten Platz zu finden, so dass es länger dauert, bis diese Sitzplätze besetzt sind. Derselbe Grundsatz gilt für die Aufladung von Batterien. Die Energie kann anfangs leicht hineinfließen und den freien Raum besetzen, und wenn später weniger Platz zur Verfügung steht, dauert es länger, bis die Energie die freien Plätze besetzt hat.

iv. Lesen Sie die Bedienungsanleitung.

Das mag lange dauern, aber das Lesen der Bedienungsanleitung ist der beste Weg, um herauszufinden, was man mit der Batterie Ihres jeweiligen Geräts tun und lassen sollte.

Durch das Lesen der Bedienungsanleitung ist garantiert, dass Sie das tun, was den guten Zustand Ihrer Batterie aufrecht erhält.

SOLAR 101: GOAL ZERO macht das Aufladen mit Sonnenenergie super einfach. Wir haben Solarenergie nicht erfunden, aber wir perfektionieren sie. Einige Dinge, an die Sie denken sollten, wenn Sie Ihr Gerät mit Solarenergie aufladen:

i. Solarmodule speichern keine Sonnenenergie, sie sammeln Energie.

Wir zeigen Ihnen die beste Methode, um Ihr Gerät mit Sonnenenergie aufzuladen: SAMMELN – SPEICHERN – NUTZEN. SAMMELN Sie die Sonnenenergie mit einem Solarmodul. SPEICHERN Sie die Energie in einer Ladestation. NUTZEN Sie die Ladestation, um Ihr Gerät am Tag oder in der Nacht zu betreiben. Wenn Sie unbedingt wollen, können Sie Ihr Gerät direkt in die Anschlussdose auf der Rückseite Ihres NOMAD Solar-Panels einstecken, um es mit dem Sonnenlicht aufzuladen.

ii. Nicht alle Solar-Aufladezeiten werden gleich berechnet.

Die meisten Solarmodul-Hersteller berechnen ihre Aufladezeiten mit der folgenden Formel: Wattstunden des Geräts/Watt-Anzahl des Solarmoduls = Solar-Aufladezeiten. Ein 13-Watt-Solarmodul würde also theoretisch ein 50-Wh-Aufladegerät in 3,84 Stunden aufladen ($50/13 = 3,84$) – und dies ist die Zahl, die Sie in der Werbung für Solarmodule lesen. Um jedoch die Ergebnisse aller Hersteller zu standardisieren, werden diese Tests unter Laborbedingungen durchgeführt. In Wirklichkeit erhalten Sie an einem guten sonnigen Tag rund 50–75 % der angegebenen Wattzahl Ihres Solarmoduls, und mit diesem Wert kalkulieren die Ingenieure von GOAL ZERO die Solar-Aufladezeiten, die Sie auf unseren Verpackungen lesen.

iii. Solaraufladung funktioniert, selbst bei Bewölkung.

Solarmodule nutzen IR-, UV- und sichtbare Sonnenstrahlen, die durch die Wolkendecke dringen. Die Effizienz des Solarmoduls ist zwar bei Bewölkung niedriger, es wird aber immer noch wertvolle Sonnenenergie aufgenommen.

iv. Die richtige Ausrichtung wirkt Wunder.

Wenn Sie Ihr Solarmodul in Richtung der Sonne ausrichten, kann dies die Solar-Effizienz deutlich erhöhen. Richten Sie es richtig aus und lassen Sie Mutter Natur den Rest erledigen.

EINGESCHRÄNKTE GARANTIE

GOAL ZERO LLC garantiert dem Originalkäufer, dass das GOAL ZERO Produkt während der gültigen Garantiezeit, festgelegt in nachstehendem Paragraph 2 und vorbehaltlich der in nachstehendem Paragraph 5 festgelegten Ausnahmen, bei normalem Gebrauch frei von Verarbeitungs- und Materialfehlern ist. Diese Garantieerklärung stellt die komplette und ausschließliche Garantieverpflichtung von GOAL ZERO dar. Wir übernehmen keine andere Haftung in Verbindung mit dem Vertrieb unserer Produkte und ermächtigen keine anderen Personen, eine solche Haftung für uns zu übernehmen.

GARANTIEFRIST

Die Garantiefrist für GOAL ZERO Batteriezellen (ob eigenständig oder als Teil eines anderen Produkts erworben) beträgt 180 Tage. Die Garantiefrist für alle anderen GOAL ZERO Produkte und Teile beträgt ein (1) Jahr. In jedem Fall beginnt die Garantiefrist mit dem Datum des Kaufs durch den Originalkäufer. Die Quittung des Originalkaufs oder andere sinnvolle dokumentierte Nachweise sind notwendig, um das Anfangsdatum der Garantiefrist festzulegen. Wenn Sie das GOAL ZERO Online-Produktregistrierungsformular innerhalb von 30 Tagen nach Kauf Ihres Produkts ausgefüllt haben, kann diese Registrierung ebenfalls das Anfangsdatum der Garantiefrist festlegen (die Gewährleistung hängt jedoch nicht von dieser Registrierung ab).

RECHTSMITTEL

GOAL ZERO wird jedes GOAL ZERO Produkt (nach Wahl und auf Kosten von GOAL ZERO), das während der gültigen Garantiefrist aufgrund eines Verarbeitungs- oder Materialfehlers nicht funktioniert, reparieren oder ersetzen.

BESCHRÄNKT AUF ORIGINALKÄUFER

Die Garantie der GOAL ZERO Produkte ist beschränkt auf Originalkäufer und nicht übertragbar auf nachfolgende Besitzer.

AUSNAHMEN

GOAL ZEROs Garantie bezieht sich nicht auf (i) jegliches Produkt, das falsch oder missbräuchlich verwendet, modifiziert, versehentlich beschädigt oder für etwas anderes als den normalen Gebrauch verwendet wurde, wie er laut den aktuellen GOAL ZERO Produkthinweisen zugelassen ist, oder auf (ii) jegliches Produkt, das in einem Online-Auktionshaus erworben wurde. GOAL ZEROs Garantie schließt keine Batteriezellen oder Produkte ein, die eine Batterie zelle enthalten, es sei denn, die Batteriezellen wurden innerhalb von sieben (7) Tagen nach dem Kauf des Produkts und im Anschluss mindestens alle 6 Monate von Ihnen aufgeladen.

SERVICELEISTUNGEN ERHALTEN

Um eine Garantieleistung in Anspruch zu nehmen, müssen Sie unser Kundenservice-Team telefonisch unter (001-888) 794-6250 oder per E-Mail an support@goalzero.com kontaktieren. Wenn unser Kundenservice-Team feststellt, dass Sie weitere Hilfe benötigen, erteilen sie Ihnen eine RMA-(Return Material Authorization)-Nummer und senden Ihnen ein vorfrankiertes Rücksende-Etikett zu, das Sie für die Rücksendung Ihres/Ihrer nicht-funktionierenden Artikel verwenden können. Sie müssen das Produkt angemessen verpacken, die RMA-Nummer deutlich auf dem Paket vermerken und dem Produkt Ihren Beleg des Kaufdatums beilegen. Wir werden Ihre Reklamation bearbeiten und schicken Ihnen das reparierte oder ersetzte Produkt zu, wobei wir die Kosten für den Versand innerhalb Nordamerikas tragen. Im Fall von Produkten, die außerhalb Nordamerikas gekauft oder transportiert wurden, kontaktieren Sie bitte den Händler, bei dem Sie das Produkt erworben haben, oder senden Sie eine E-Mail an support@goalzero.com, um weitere Händlerinformationen zu erhalten.

IMPLIZIERTE GARANTIEEN

DIE HIER GENANNTEN EINGESCHRÄNKTE GARANTIE ERSETZT ALLE ANDEREN VERTRAGLICHEN GEWÄHRLEISTUNGEN. IN KEINEM FALL GEHEN IMPLIZIERTE GARANTIEEN, EINSCHLIEßLICH, ABER NICHT BESCHRÄNKT AUF MARKTFÄHIGKEIT, EIGNUNG FÜR EINEN BESTIMMTEN ZWECK ODER NICHTVERLETZUNG VON RECHTEN, ÜBER DIE IN O.G. PARAGRAPH 2 GENANNTEN GÜLTIGE GARANTIEFRIST HINAUS. Einige Staaten erlauben keine Beschränkungen in Bezug auf die Frist einer eingeschränkten Garantie, daher trifft o.g. Beschränkung für Sie evtl. nicht zu. Diese Garantie gewährt Ihnen bestimmte gesetzliche Rechte, und möglicherweise verfügen Sie über weitere Rechte, die von Staat zu Staat verschieden sein können.

AUSSCHLIEßLICHES RECHTSMITTEL; HAFTUNGSBESCHRÄNKUNG

Die vorstehenden Bestimmungen regeln die gesamte Haftung von GOAL ZERO sowie Ihre ausschließlichen Rechtsmittel bei jeder Garantieverletzung, ob ausdrücklich oder implizit. IN KEINEM FALL IST GOAL ZERO HAFTBAR FÜR JEDWEDEN FOLGE- ODER UNABSICHTLICHEN SCHADEN, DER AUS DER NUTZUNG ODER FEHLERHAFTEN NUTZUNG EINES GOAL ZERO PRODUKTS ODER AUS EINER GARANTIEVERLETZUNG, EINSCHLIEßLICH SCHADEN AN ANDEREN GERÄTEN, RESULTIERT. IN KEINEM FALL ÜBERSTEIGT GOAL ZEROS HAFTUNG BEI ANSPRÜCHEN, SEI ES AUS VERTRÄGEN, GARANTIEEN, UNERLAUBTEN HANDLUNGEN (EINSCHLIEßLICH FAHRLÄSSIGKEIT UND GEFÄHRDUNGSHAFTUNG) ODER UNTER JEDER HAFTUNGSTHEORIE, DIE SUMME, DIE SIE FÜR IHR GOAL ZERO PRODUKT BEZAHLT HABEN. Einige Staaten erlauben keine Ausnahmen oder Beschränkungen von unabsichtlichen oder Folgeschäden, daher trifft o.g. Beschränkung oder Ausnahme für Sie evtl. nicht zu.



KOSTENLOSE VERLÄNGERTE GARANTIE

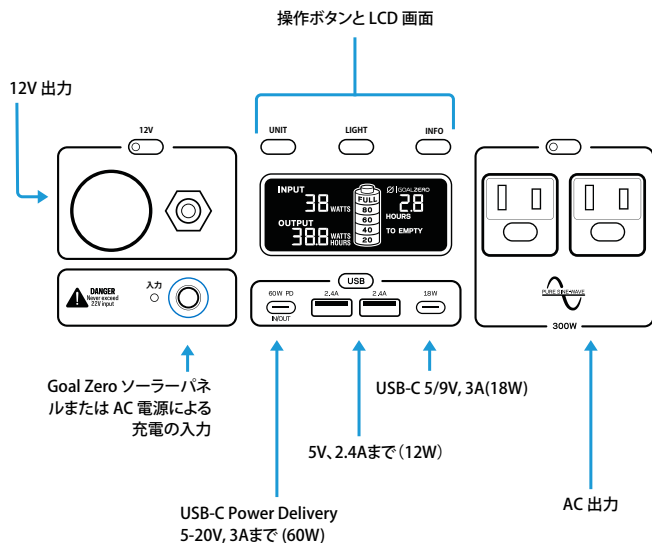
Erhalten Sie ein ZUSÄTZLICHES JAHR Schutz für Ihre Goal Zero Yeti Lithium Tragbare Ladestation, indem Sie Ihr Produkt einfach hier registrieren:

GOALZERO.com/extendedwarranty

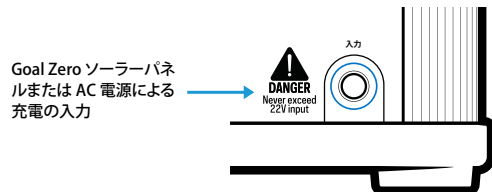
Damit erhalten Sie INSGESAMT ZWEI Jahre sorgenfreie Gewährleistung.
So sind Sie und Ihre neue Ladestation fein raus.

製品説明図

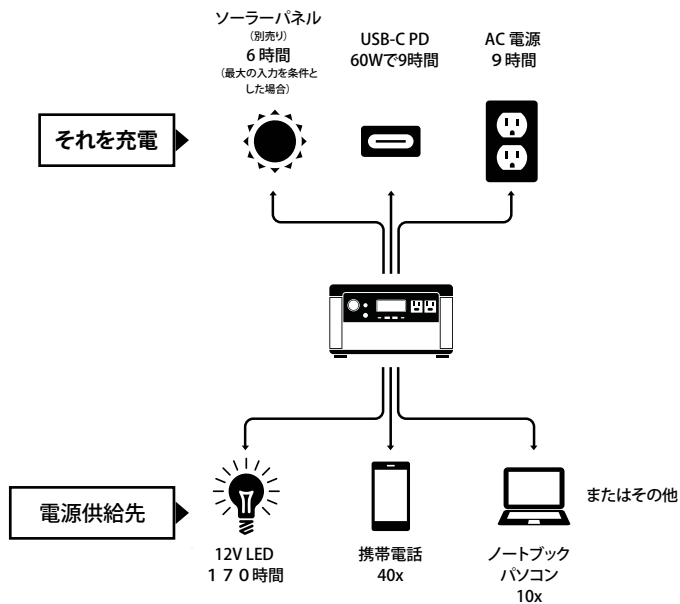
Yeti 500Xの前面



Yeti 500Xの背面



使用方法



Goal Zero Yeti の充電

充電してください: Goal Zero Yeti を使用していないときは、プラグインしたままにしてください。バッテリーを正常な状態に保つためのヒントやアイデアについては、「バッテリーの基礎知識」(ページ 14)を参照してください。

Goal Zero Yeti を充電している間、画面内のバッテリーのセグメントが点灯します。これは現在の充電状況を示しています。Goal Zero Yeti の充電が完了すると、全てのバッテリーセグメントが点灯した状態になります。Goal Zero Yeti への電力の入力が出力に勝っている間は、充電が完了するまでの推定時間も表示されます。これはその時点での入力電力と出力数を基にした推定時間であり、平均の充電または放電率が変化するにつれて長くなったり短くなったりします。

太陽光による充電

重要な注意: Goal Zero Yeti リチウムをソーラー充電するときは、ソーラーパネルの電圧に注意し、22Vを超えないようにしてください。1枚で22Vを超えるソーラーパネルやソーラーパネルをチェーンのようにグループ化して22Vを超えるものはGoal Zero Yeti リチウムで使用することはできません。ユニットに深刻なダメージを与えるおそれがあります。ソーラーパネルのチェーン接続に関するヘルプについては、カスタマーソリューションセンター(電話:888-794-6250)にお問合せください。

Goal Zero Yetiには2つの8mm充電ポートがあります。1つは前面プレートの左側にあります。もう1つは、背面の右下隅にあります。両方の8mmポートは、Goal Zeroソーラーパネルで動作するように設計されており、120Wのソーラーを取り込むことができます。

注意: Yetiの充電には、一度に1つの8mm入力しか使用できません。両方の8mm入力ポートに同時に差し込むと、Yetiは常にデフォルトの前面の8mmポートになります。

1. ソーラーパネルを太陽光が最も直接当たる場所に置きます。
2. 青いリング状のプラグをパネルからYetiのいずれかの入力ポートに挿入します。入力ポートの横にある青色のLEDが点灯し、LCDバッテリー画面のバッテリーセグメントが点灯している間は、Yetiが充電中であることを意味します。バッテリーセグメントの点滅が止まり、点灯したままになるとYetiの充電が完了したことになります。
3. 一部のGoal Zeroパネルは、Yetiにより多くの電力を供給し、ソーラー充電時間を短縮するために連鎖可能です。入力ポートは120Wの太陽光を取り込むことができます。

コンセントからの充電

付属のAC電源充電器を使って、Goal Zero Yeti をコンセントにつなぎます。Goal Zero Yeti が充電されている間は、入力ポートの横にある青色のLEDが点灯し、バッテリー画面のバッテリーセグメントが点滅します。バッテリーセグメントの点滅が止まり、点灯したままになるとGoal Zero Yeti の充電が完了したことになります。Goal Zero Yeti をコンセントから充電した場合、9時間ほどで充電が完了します。

1. コンセント用のACアダプターは2つの部分で構成されています。ケーブルをボックスに接続して2つを接続します。

USB-Cからの充電:

60W USB-C PD 入出力ポートを使用して、USB-C充電器(別売)に接続してYetiを充電します。

注意: 最大8mmの入力ポートとUSB-C入出力ポートの両方に同時に接続して、最大180ワットを受信できます。

注意: 車の充電や高速充電などの追加の充電オプションについては、www.goalzero.com/shop/yeti-accessoriesをご覧ください。

Goal Zero Yeti の使用

Goal Zero Yeti の使用方法:

1. 使用する各ポートの上にある電源ボタンを押します。**使用していないポートはオフにして節電してください。
2. ボタンの白いLEDライトが点灯したときにポートがオンになります。
3. 使いたい場所でどこでもお使いのデバイスのプラグを差し込んでご使用ください。
4. Goal Zero Yeti を使用していないときは、できるだけプラグを電源につなげるようにしてください。
5. Goal Zero Yeti の充電と機器の使用は同時に行うことができます。

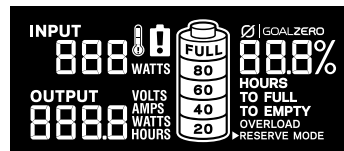
最適な使用方法:

Goal Zero Yeti でお使いのデバイスを充電するには、LCD バッテリー画面に注目してください。高い電力を必要とするデバイスを接続すると、Goal Zero Yeti の充電レベルが急速に低下し、正確に500Wh のエネルギーが得られない場合があります。また、AC 電源出力を使用している際には、Goal Zero Yeti はバッテリーの DC 電源をお使いのデバイスが必要とする AC 電源に変換しています。Goal Zero Yeti には高性能なインバーターが搭載されていますが、変換時には一定の電力が失われるため、表示通りのバッテリー能力が提供されることはありません。ランタイムが短くなっている場合は、デバイスの電力要件を確認することをお勧めします。トラブルシューティング (pg. 13) をご覧ください。

低温での使用:

低温(氷点下)での使用は、Goal Zero Yeti のバッテリー能力に影響を及ぼします。ユーザーが氷点下の電気のない環境で生活している場合は、Goal Zero Yeti を保温クーラーに保管し、電源(ソーラーパネル)に接続して、お使いの機器を充電することをお勧めします。保温クーラー内の Goal Zero Yeti から自然発生する熱が、バッテリー能力を最大限に保つのに役立ちます。

画面のバックライトは LIGHT ボタンを押すと点灯します。内蔵の LCD 画面には、4 つの重要な情報が表示されます。



1. INPUT (入力) は、充電中に Goal Zero Yeti に入っていく電力量 (ワット) を示します。ソーラーパネルで充電している場合は、太陽光に向けてパネルの位置を動かすとワット数が変化するのが見えます。
2. OUTPUT (出力) は、Goal Zero Yeti に接続されているお使いのデバイスが使用している電力量 (ワット) を示します。
3. TO FULL/TO EMPTY (フル充電または空になるまで) は、Goal Zero Yeti がフル充電される (または空になる) までの時間を示します。Goal Zero Yeti に入る電力量の合計が正か負かによって変化します。
4. バッテリーレベルは、5 つのセグメントで約 20% - 40% - 60% - 80% - 100% の残量を示します。Goal Zero Yeti の使用の経過につれてセグメントが画面から消え、残りの充電量を示します。Goal Zero Yeti の充電中は、バッテリーセグメントが点滅します。これは現在の充電状況を示しています。Goal Zero Yeti の充電が完了すると、全てのバッテリーセグメントが点灯した状態になります。Goal Zero Yeti への電力の入力が出力に勝っている間は、充電が完了するまでの推定時間も表示されます。これはその時点での入力電力と出力数を基にした推定時間であり、充電または放電率が変化するにつれて長くなったり短くなったりします。ソーラーパネルであれコンセントであれ電源に最初に接続する際には、Yeti が電源から電力を取り入れ始める前に充電回路を検出し調整するまで少し時間がかかることがあります。

UNIT (ユニット) ボタンを押すと、異なる出力と電力消費設定をスクロールすることができます。UNIT (ユニット) ボタンを押したままにすると、ワット時出力カウンターがリセットされます。INFO (情報) ボタンを押すと、バッテリーの充電のパーセント表示と Empty/Full (空またはフル充電) までの時間の表示が切り替わります。

保管時および使用していない時のメンテナンス

旅行の途中や保管時に、ソーラーパネルやコンセントなどの電源に Goal Zero Yeti をつないでおくことで、バッテリーの正常性を維持し、フル充電にしておくことができます。そうすることでバッテリーの寿命が長くなり、Goal Zero Yeti の充電を行い、毎日、一日中いつでも使える状態になります。

保管時に Goal Zero Yeti を電源につないでおくことができない場合は、3ヶ月ごとに Goal Zero Yeti をフル充電して、乾燥した涼しい場所に保管してください。これらの手順に従ってお使いの Goal Zero Yeti を維持できない場合は、バッテリーが損傷し、製品保証が受けられなくなります。

技術仕様


バッテリー:

セルの種類	リチウムイオン NMC
バックの容量	505Whまで (10.8V, 46.8Ahまで)
単一セルの場合の容量	140.4Ahまで @ 3.6V
充電寿命	500 回で 80% の容量 (放電率:0.2C, フル充電/放電、温度:25C)
バッテリーの保存期間	3~6ヶ月ごとに充電
管理システム	'MPPT' 充電コントローラー、低バッテリー保護

ポート:

USB-C PDポート (入出力)	5-20V, 3.0Aまで (最大60W)
USB-Cポート (出力)	5/9V, 3.0Aまで (最大18W)
USB-A ポート (出力)	5V, 最大 2.4A (最大 12W)
6mm ポート (出力, 6mm)	12V, 最大 10A (最大 120W)
12V 車用ポート (出力)	12V, 10Aまで (最大120W)、調整済み
120V AC インバーター (出力、純正弦波)	120VAC 60Hz, 2.5A (300W, 1200W サージ)
230V AC インバーター (出力、純正弦波) ユニバーサルまたはオーストラリア(タイプ1)ACプラグ	230VAC 50Hz, 1.3A (300W, 1200W サージ)
充電ポート (入力, 8mm, 青色のリング)	13-22V, 10Aまで (最大120W)

全般:

チェーン接続	不可
重量	12.9 lbs (5.85 kg)
寸法	7.5 x 11.25 x 5.8 in (19.05 x 28.58 x 14.73 cm)
動作温度。	32~104 F (0~40 C)
安全規格	◎  CE
保証	12ヶ月

Goal Zero Yeti にはどのような種類のバッテリーが使われているのですか？

Goal Zero Yeti にはカスタム設計されたリチウムイオンバッテリーが使用されています。リチウムイオンバッテリーには次のような基本的特徴があります。

1. リチウムイオンバッテリーは短期間に大量のエネルギーを蓄積、放出することができます。Goal Zero Yeti のバッテリーは、高度なバッテリー管理を行い、外部からシステムを保護するケースに入っています。
2. 湿気や水分は、保護を通り抜け、保護回路の裏のバッテリーセルに到達することができるため、バッテリーを濡らさないことが重要です。

Yeti 500Xを飛行機に持ち込んでもいいですか？

いいえ、リチウム電池は100Whを超えており、FAA規制の飛行機では許可されていません。

Goal Zero Yeti が充電されているかどうかは、どのようにわかりますか？

Goal Zero Yeti の充電レベルをチェックするには、LCD バッテリー画面を見てください。画面が点灯しているときに、現在の充電レベルを示すバッテリーの絵が 5 つのセグメントで表示されます。Goal Zero Yeti は、フル充電の状態でない場合でも使用することが可能です。

AC ボタンのライトが点滅しているのはなぜですか？

AC ボタンの点滅ライトは、現在の負荷では AC インバーターがもうすぐオフになることを意味しています。お使いのデバイスに引き続き電力を供給できるよう、なるべく早く Goal Zero Yeti を充電してしてください。AC インバーターがオフになると、Yeti は 3 回自動的にリセットしようとします。リセットが 3 回試行された後は、AC ボタンを押してリセットするか、バッテリーを少量充電するまで AC インバーターはオフのままになります。

ポートアクティベーションボタンのライトが赤色になっているのはなぜですか？

12V、USB、および AC アクティベーションボタンの赤色のライトは、接続されているものを保護するためにポートがシャットオフされたことを示します。お使いのデバイスに引き続き電力を供給できるよう、なるべく早く Goal Zero Yeti を充電してしてください。

自分が持っているデバイスが Goal Zero Yeti で使えるかはどのようにしたらわかりますか？

まず始めに、お使いの機器が必要とする電力量を調べる必要があります。ご自分で調べる必要があるかもしれませんが、インターネットで検索したり、お使いのデバイスのユーザーガイドを調べれば十分です。

次に各出力ポートの能力をチェックします。例えば Goal Zero Yeti の AC ポートは、300W の電力に対応するインバーターで動作します。これは、お使いのデバイスが長期間 300W 以上の電力を必要とする場合は、Goal Zero Yeti のインバーターがオフになってしまうことを意味します。もうひとつ注意すべき数字は、お使いのデバイスが使用するポートに対するサージ率です。Goal Zero Yeti のインバーターには高度なサージ管理システムが内蔵されており、様々なデバイスとの互換性を実現していますが、Goal Zero Yeti のサージ管理能力を超える率のサージを長時間起こすデバイスがあるため、その場合はポートが自動的にオフになります。

お使いのデバイスとの互換性があることが分かった後は、Goal Zero Yeti がお使いのデバイスにどのくらいの時間電力を供給できるかを考慮します。電力についてここで簡単に説明します。

すべての Goal Zero パワーバックと太陽光発電機は、名前の中に番号が付いています。Sherpa 100AC 充電器、Goal Zero Yeti 500X。これらの数字はワット時 (Wh) またはそれぞれのバッテリーに蓄積できる電力を指しており、お使いのデバイスがそれぞれの発電所と互換性があるかが分かります。例えば 200Wh の発電所では、100W の電球を 2 時間 (200/100=2) 運用することができます。お使いのデバイスが 500Wh という Goal Zero Yeti の能力内に収まる場合は、各出力ポートの制約事項を確認します。

計算する上でのもう一つ考慮すべき要因は、Goal Zero Yeti バッテリーから電力供給先/充電先となるお使いのデバイスに対して、どれだけの電力が変換されているかです。12V デバイスを 12V ポートから直接使用する場合などの一定の状況では、変換は行われなため、変換による電力損失はありません。この例として、12Vポートで実行されるLAL 350があります。携帯電話を充電するのに USB ポートを使用する場合には、変換が行われるため (Goal Zero Yeti 内の 12V バッテリーが 5V の USB 出力に変換される)、10% ほどの電力が失われます。インバーターが使用される際には、変換が 2 回行われます (12V から高電圧へ、DC から AC への変換)。Goal Zero Yeti バッテリーの最も非効率な使い方は、AC ポートに AC-DC アダプターをつないでしまうことです。携帯電話を充電するためのコンセントに差すタイプの充電器の使用がその例です。その場合、充電器に対してさらにもう一段階の変換が必要になってしまうからです。

よって、新しい Goal Zero 発電所でどんなデバイスを使用するか決める際には、お使いのデバイスのワット消費量をお調べください。その他のアイデアや学習ツールについては、www.GoalZero.com/learn.html を参照してください。

トラブルシューティング

お使いのデバイスが Goal Zero Yeti で充電できない場合には、次の手順に従ってください。

1. Output (出力) ポートがオンになっていることを確認します。電源ボタンの白色の LED ライトが点灯しているはずですが。

a. いずれかのライトが赤色になっている場合には、トリップ (回路の遮断) が発生したことを意味しています。ボタンをもう一度押ししてリセットしてください。リセットに成功するとライトは白色に点灯します。

2. バッテリーの画面をチェックします。20% 以下になっている場合には、Goal Zero Yeti を充電してください。

3. 警告のアイコンが表示されていないか LCD 画面をチェックします。

オーバーロード: 電力消費量がポートの最大許容量を超えています。ポートのボタンが赤色に点灯することで分かります。

バットセーフモード: バッテリー電圧が下がりにすぎず 12Vカーポートを効率的に実行できない (> 10.5V) とアクティブになります。その他の全てのポートはアクティブのままです (標準的な 12V デバイスを保護するよう設計)。



温度警告。
ユニットの温度が下がるまでお待ちください。



バッテリーの問題への処置が必要です。
カスタマーサポートにお問い合わせください。
1-888-794-6250

4. お使いのデバイスが Goal Zero Yeti との使用に適しているかを確認します。

a. Goal Zero Yeti 全ての出力ポートは、それぞれ電力能力の最大値があります。Goal Zero Yeti の技術仕様をチェックして、お使いのデバイスとの互換性があることを確認します。

5. Goal Zero Yeti の問題が解決しない場合は、カスタマーソリューションセンターに電話 (電話番号: 1-888-794-6250) で問い合わせるか、または support@goalzero.com までメールでお問合せください。

バッテリーと太陽光充電について

バッテリー101:Goal Zeroは、最新かつ最高のバッテリーテクノロジーを活用して、あらゆる人生の冒険においてあなたと共にします。万能で軽量なリチウムイオンバッテリーから強力屈強な鉛蓄電池について、お使いのGoal Zeroバッテリーを最適な状態に保つために有用なアイデアをここにいくつかまとめました。

i. バッテリーにもエクササイズが必要です。バッテリーにとって最も良いことは、そのバッテリー使うことです。充電をしない状態で長期間放置することはしないでください。Goal Zero Yeti を充電することなく保管する場合は、保管する前にフル充電の状態にしてください。

ii. 「バッテリーのメモリー効果」の通説。

かつてのニッケルカドミウム (NiCd) 電池のせいで、充電バッテリーを充電する前には、完全に充電を使い切った(ディープ・サイクリングと呼ばれる)ほうがよいという通説が広まっています。NiCd バッテリーについてはこれは正しいですが、GOAL ZERO 発電所に使用されている高度なリチウムおよび鉛蓄電池を含む、今日通常目にするデバイスのバッテリーには、そのような「使い切る」作業は必要ありません。逆にバッテリーのディープ・サイクリングは避けるべきです。ほとんどの場合、逆効果となります。

iii. 「スタジウム効果」について。

バッテリーの充電を行うと、「スタジウム効果」が起こります。最初のうちはどんどん充電していきませんが、最後の数パーセントになると充電速度が急激に落ちることがあります。スタジウムのドアが開放されると最初はほとんど席が埋まっていく様子を想像してください。最初は何百もの空席があるので、自分が座りたい席を見つけるのは簡単です。最終的に空いている席は少なくなり、他の人をよけながら座りたい席を探さることになります。そのような席を見つけるのにはもっと時間がかかります。バッテリーの充電にも同じ理論が当てはまります。エネルギーの流れが最初に空いている場所を見つけるのは容易なのですが、時間の経過とともに空いている場所が少なくなり、そのような場所をエネルギーが埋めるにはもっと時間がかかるのです。

iv. 説明書を読んでください。

読むのに時間がかかるとはかもしれませんが、お使いのデバイスに対してバッテリーですべきこと、してはいけないことを調べるには説明書がベストな方法です。説明書を読めば、バッテリーを良好な状態に保つための方法が分かります。

ソーラー101:GOAL ZERO では、太陽光によってお使いのデバイスを充電するのがさらに簡単になりました。太陽光を発明したのは我々ではありませんが、それを究めたのは我々です。太陽光でお使いのデバイスを充電する際に覚えておくべき事柄を以下に紹介します。

i. ソーラーパネルは、太陽光のエネルギーを蓄えるのではなく、集めるのです。

エネルギーを「集め」、「蓄え」、「使う」方法をお教えします。太陽光を使ってお使いのデバイスを充電する最適な方法です。太陽光により太陽のエネルギーを「集め」ます。発電所にそのパワーを「蓄え」ます。発電所を「使って」お使いのデバイスに昼も夜もパワーを供給します。本当に電気が必要なときは、お使いのデバイスを NOMAD Solar Panel の背面部にある接続箱に直接接続して太陽光から充電することができます。

ii. 太陽光充電の時間計算はどれも同じではありません。

ソーラーパネルの製造メーカーのほとんどは、次の公式を使って充電時間を計算しています。デバイスのワット時 / ソーラーパネルのワット数 = ソーラー充電時間。理論的には、13ワットのソーラーパネルは、50ワット時間のバッテリーを 3.84時間 ($50/13 = 3.84$) で充電できることになります。ソーラーパネルのカタログにはこのような数字が書かれています。しかし全てのメーカーの間でテスト結果を標準化するために、このようなテストは試験室の環境で行われています。実際は、晴天の日には、ソーラーパネルに記載されたワット数のおよそ50~75%を拾います。GOAL ZERO のエンジニアたちはこの方法で製品のパッケージに記載されている太陽光による充電時間を計算しています。

iii. ソーラーパネルは曇りの日でも使うことができます。

ソーラーパネルは、雲を貫通する太陽からの赤外線、紫外線、可視光線を使うからです。曇りの日にはソーラーパネルの効率は下がりますが、それでも太陽から貴重なエネルギーを集めることができます。

iv. 適切な角度が大切です。

ソーラーパネルを太陽に対して適切な角度で保つことで、太陽光による効率が劇的に向上します。適切な角度に置いて、あとは自然の力に任せましょう。

保証とお問い合わせ

限定的保証

GOAL ZERO LLC は、製品を使用する元の購入者に対して、以下の段落 2 に記された保証期間内（段落 5 に明記された免責条件に従う）の通常の使用において GOAL ZERO の本製品に欠陥がないことを保証します。保証についての本文章は、GOAL ZERO の包括的かつ排他的な保証義務をここに明記します。当社の製品の販売に関連したその他のいかなる法的責任が当社が負ったり、他人が当社のために負うことを許可するものではありません。

保証期間

GOAL ZERO バッテリーセルの保証期間は（製品を個別で購入、別の製品の一部分として購入したかに関わらず）180 日です。その他全ての GOAL ZERO 製品および部品の保証期間は 1 年です。それぞれの場合で、製品を使用する元の購入者による購入日を保証期間の開始日とします。保証期間の開始日を証明するには、製品を使用する元の購入者に与えられる販売明細書、またはその他妥当な文書による証明が必要です。製品を購入後 30 日以内にオンラインの GOAL ZERO 製品登録票に記入した場合は、その登録事項も保証期間開始日の証明となります（ただし製品の登録は保証の条件ではありません）。

救済手段

GOAL ZERO は、製品の欠陥により保証期間内に故障した全ての GOAL ZERO 製品を修理、または交換します（GOAL ZERO の手段により費用は当社が負担）。

製品を使用する元の購入者に限定

GOAL ZERO 製品の保証は、製品を使用する元の購入者に限定され、次の所有者に譲渡することはできません。

免責事項

GOAL ZERO の保証は次の場合には対象外となります。(i) 製品を誤用、乱用、改造した場合または製品が事故により損傷した場合、GOAL ZERO の当時の製品説明書で許可された通常の使用以外の目的に使用された場合。または (ii) 製品をオンラインのオークションで購入した場合。バッテリーセルがユーザーによって製品の購入日から 7 日以内に充電されなかった、また、その後 6 ヶ月に最低 1 回充電されなかった場合は、いかなるバッテリーセルまたはバッテリーセルを含む製品も GOAL ZERO の保証の対象外となります。

サービスを受ける方法

保証のサービスを受けるには、電話 (888-794-6250) または電子メール (support@goalzero.com) で当社のカスタマーサービスチームにお問合せください。カスタマーサービスチームがさらなるサポートが必要であると判断した場合は、返品番号 (RMA 番号) を発行し、故障した製品をお客様が返送するのに使用する返品先住所を記載したラベルを当社から送付します。お客様は製品とその購入日の証明を適切に梱包し、その外側に返品番号を明記しなければなりません。当社で返品された製品を処理し、修理品または交換品をお客様に送付します。北米の住所に送付される製品については当社が費用を負担します。北米以外で購入された製品、または北米以外の住所に送付される製品については、その製品を購入した地元の販売店に問い合わせるか、または電子メール (support@goalzero.com) で販売店情報をお問合せください。

黙示保証

ここに記載された限定的保証は、その他全ての明示の保証に代わるものです。いかなる場合でも、あらゆる黙示保証（商品性、特定の目的への適合性、または権利の非侵害の保証を含みますが、これに限定されません）が上記段落 2 で明記された該当する保証期間を超えることはありません。州によっては黙示保証の有効期間の限定が認められない場合があるため、前記の限定はお客様に適用されないことがあります。本保証によりお客様に特定の法的権利が付与されますが、州ごとに異なるその他の権利がお客様に付与される場合もあります。

唯一の救済手段、責任の限定

前述の規定は、明示、黙示であれ保証のいかなる不履行についての GOAL ZERO の全責任、お客様の唯一の救済手段を記すものです。GOAL ZERO 製品の使用または誤動作、保証の不履行により発生する、その他のデバイスへの損害を含む派生的または偶発的な損害に対して GOAL ZERO は一切責任を負いません。契約、保証、不法行為（過失および無過失責任を含む）に基づくかを問わず、またその他いかなる責任の理論のもとにおいても、申立に対する GOAL ZERO の責任は、いかなる場合でも、お客様が GOAL ZERO 製品に支払った金額を超えることはありません。州によっては偶発的または派生的な損害の免責または限定が認められない場合があるため、前記の限定または免責はお客様に適用されないことがあります。



無料延長保証

お使いの Goal Zero Yeti リチウムポータブルパワーステーションを
以下のアドレスで登録するだけで、さらにもう 1 年保証期間が延長されます。

GOALZERO.com/extendedwarranty

これにより合計 2 年安心の製品保証が受けられます。
お客様と新しい発電所のための無料サービスです。

GOAL ZERO HEADQUARTERS

675 West 14600 South
Bluffdale, UT 84065
1-888-794-6250
Designed in the U.S.A.
Made in China

Goal Zero Yeti is a trademark of Goal Zero.

This equipment has been tested and found to comply with the limits for a Class B digital device, pursuant to part 15 of the FCC Rules. These limits are designed to provide reasonable protection against harmful interference in a residential installation. This equipment generates, uses and can radiate radio frequency energy and, if not installed and used in accordance with the instructions, may cause harmful interference to radio communications. However, there is no guarantee that interference will not occur in a particular installation. If this equipment does cause harmful interference to radio or television reception, which can be determined by turning the equipment off and on, the user is encouraged to try to correct the interference by one or more of the following measures:

- Reorient or relocate the receiving antenna.
- Increase the separation between the equipment and receiver.
- Connect the equipment into an outlet on a circuit different from that to which the receiver is connected.
- Consult the dealer or an experienced radio/TV technician for help.

This device complies with part 15 of the FCC Rules. Operation is subject to the following two conditions: (1) This device may not cause harmful interference, and (2) this device must accept any interference received, including interference that may cause undesired operation.

GOALZERO.COM

JG010920