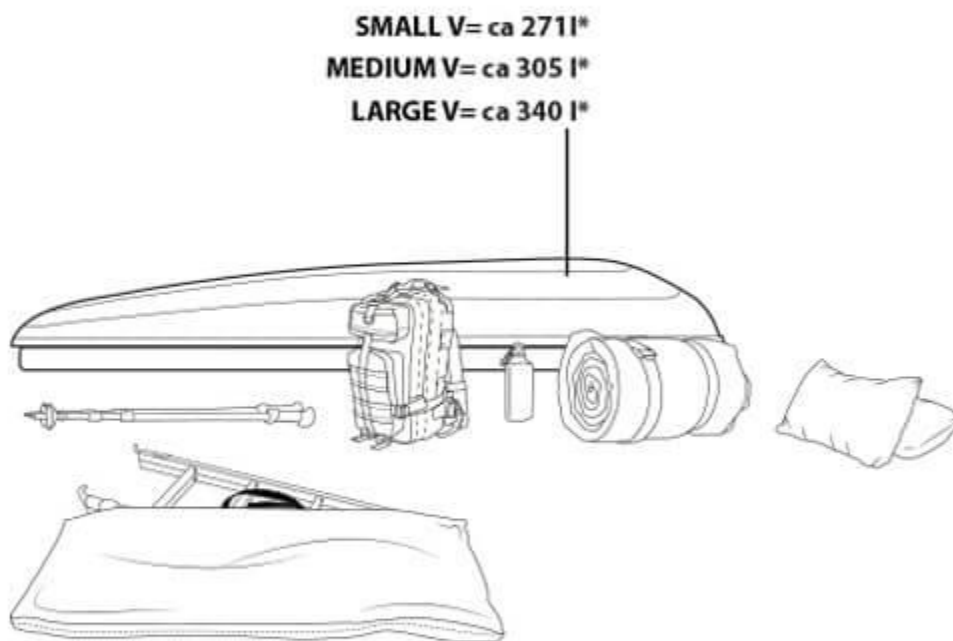


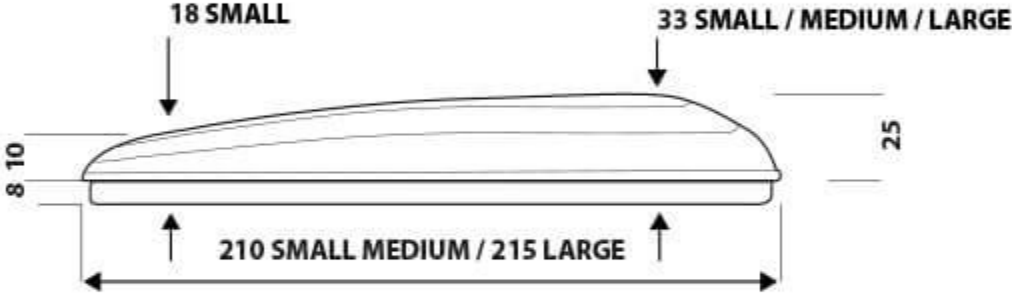
TECHNISCHE DETAILS AIRTOP

NEW! 2024 FROM AUGUST 23

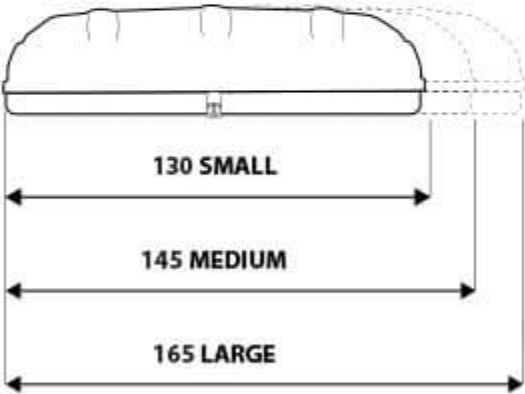
A.



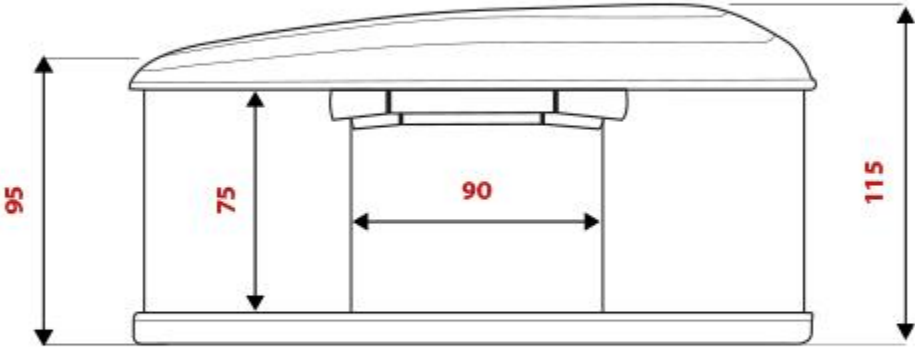
B.



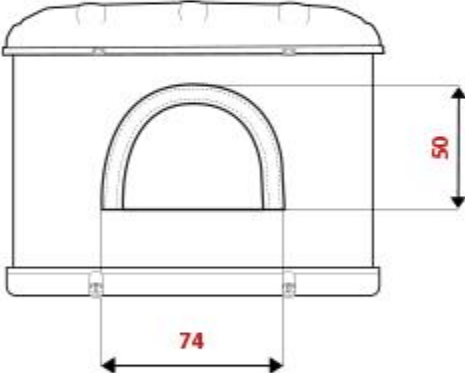
C.



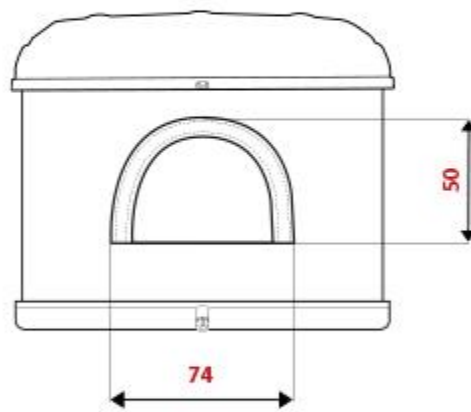
D.



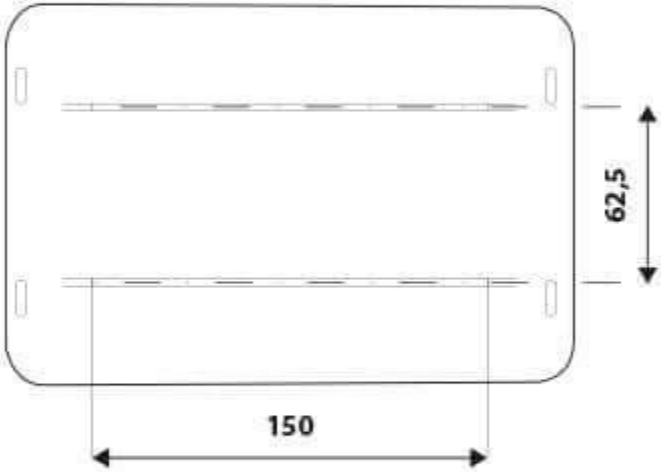
E.



F.



G.

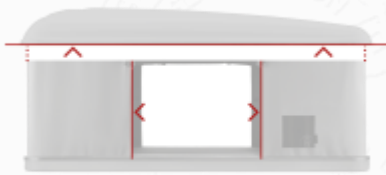




•



•



NEW SIZE 2114
NEW BACKPACK + RIGHT
+ PORT

•



THE DOG HOUSE
FOR MEDIUM

MAIN PROFILE - STYLE





NEW LEIS 2024 FROM RAVENET 23
POCKETS + LOCKABLE POCKETS + CIGARET HOLDER



NEW LEIS 2024 FROM RAVENET 23
MATTRESS + COMFORT



NEW LEIS 2024 FROM RAVENET 23
BETTER CLOSURE + STYLE

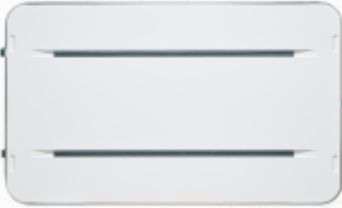


NEW! 1800 5001 PERIMETER SEAL - PROTECTION
FROM MOISTURE



NEW! 1800 5001 PERIMETER SEAL - PROTECTION
FROM MOISTURE







•

•

•

• **DESCRIPTION**

• **MATERIALS**

• **TECHNICAL DETAILS**

• **MONTAGE**

• **ADVANTAGES**

• **INSTRUCTIONS**

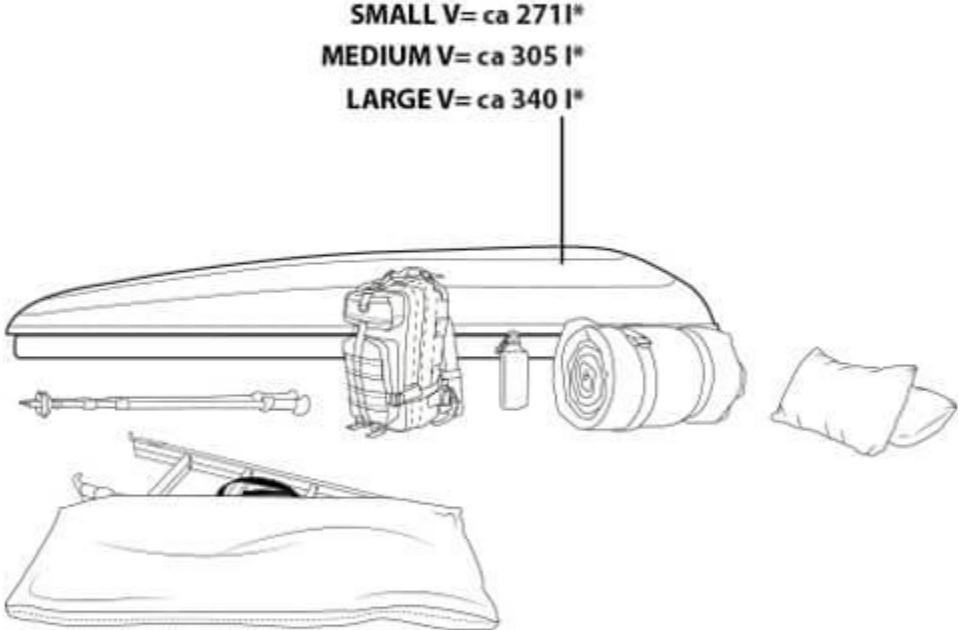
•

• **ACCESSORIES**

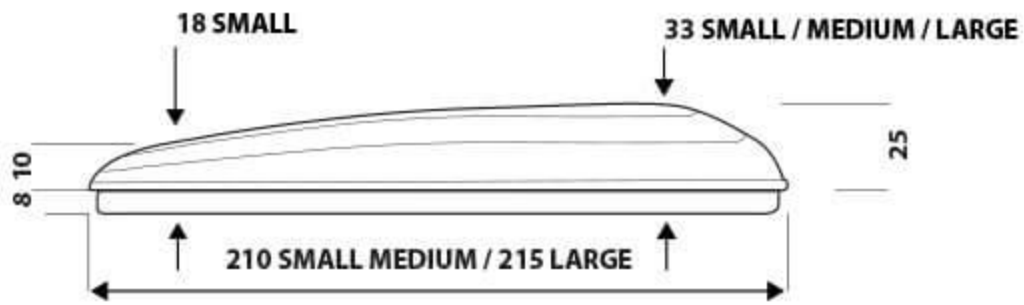
TECHNICAL DETAILS AIRTOP

NEW! 2024 FROM AUGUST 23

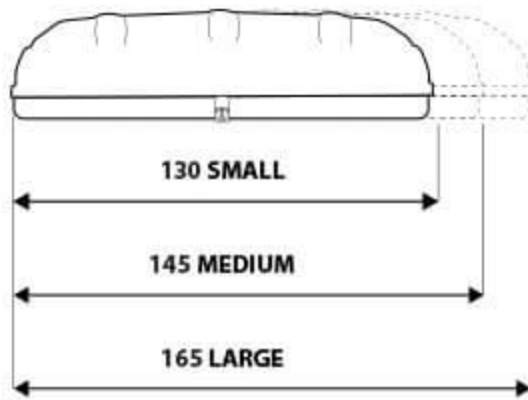
A.



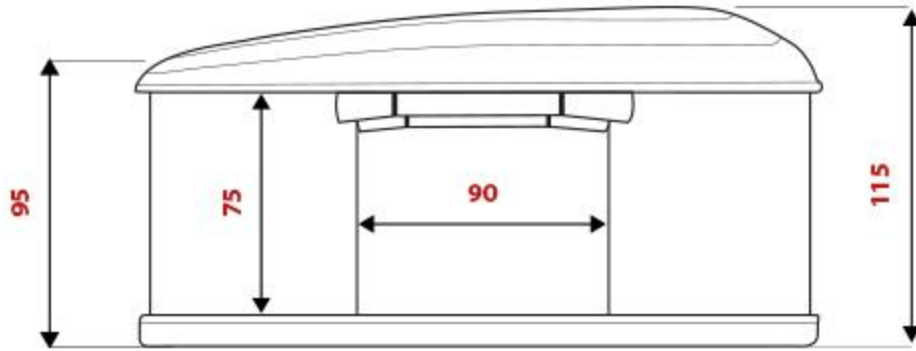
B.



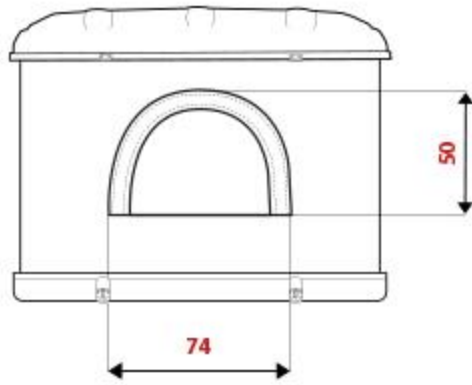
C.



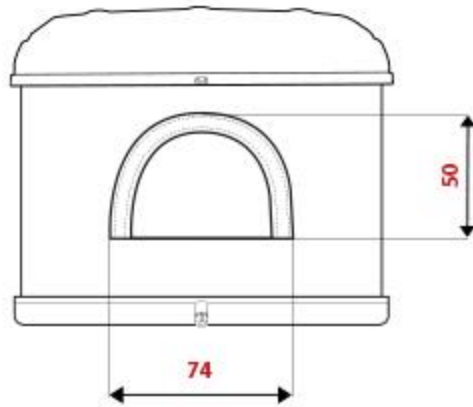
D.



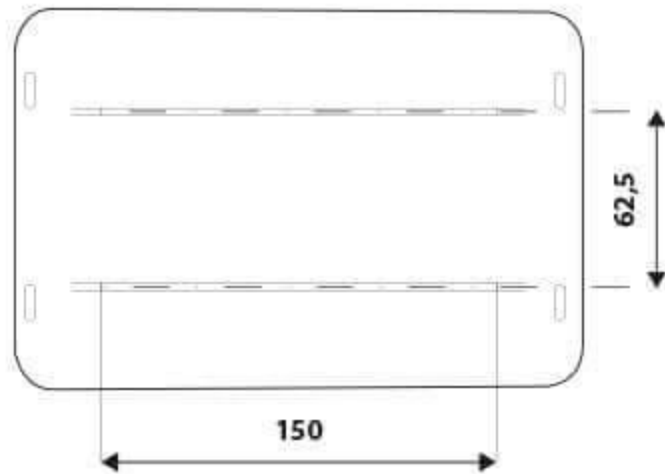
E.



F.



G.



A.

V= with the tent closed, this indicates the capacity (volume) of the upper shell, in litres. The upper shell contains 2,3 or 4 pillows, according to the model, and other night-time accessories or personal effects.

For example, a rucksack, blankets, a beauty-case, or the ladder, the changing room, winter hood or other travel accessories can be fitted inside the tent, so they don't take up room in the boot or inside the vehicle.

B.

When choosing a roof tent, the shell height is important because it shows how much room there is inside and how easy it is to move about, hence the comfort.

Even just a few centimetres more or less make a big difference: everything has been calculated to ensure that a person of average height (170-190 cm) can sit comfortably

without the head coming close to the ceiling.

The overall length of 210 cm provides optimum comfort and room for rucksacks or large blankets.

C.

The width (SMALL /MEDIUM/LARGE) is according to the number of occupants

D.

The width of the door L= 90 cm is designed for easy access even if you are not as slim and nimble as you used to be (most doors at home are about 75 cm wide).

E. F.

The windows are big enough to give an excellent view and small enough not to compromise privacy.

G.

Standard bases include 2 strong C-shaped steel bars to hook the tent onto the vehicle roof rails, using the clamps supplied.